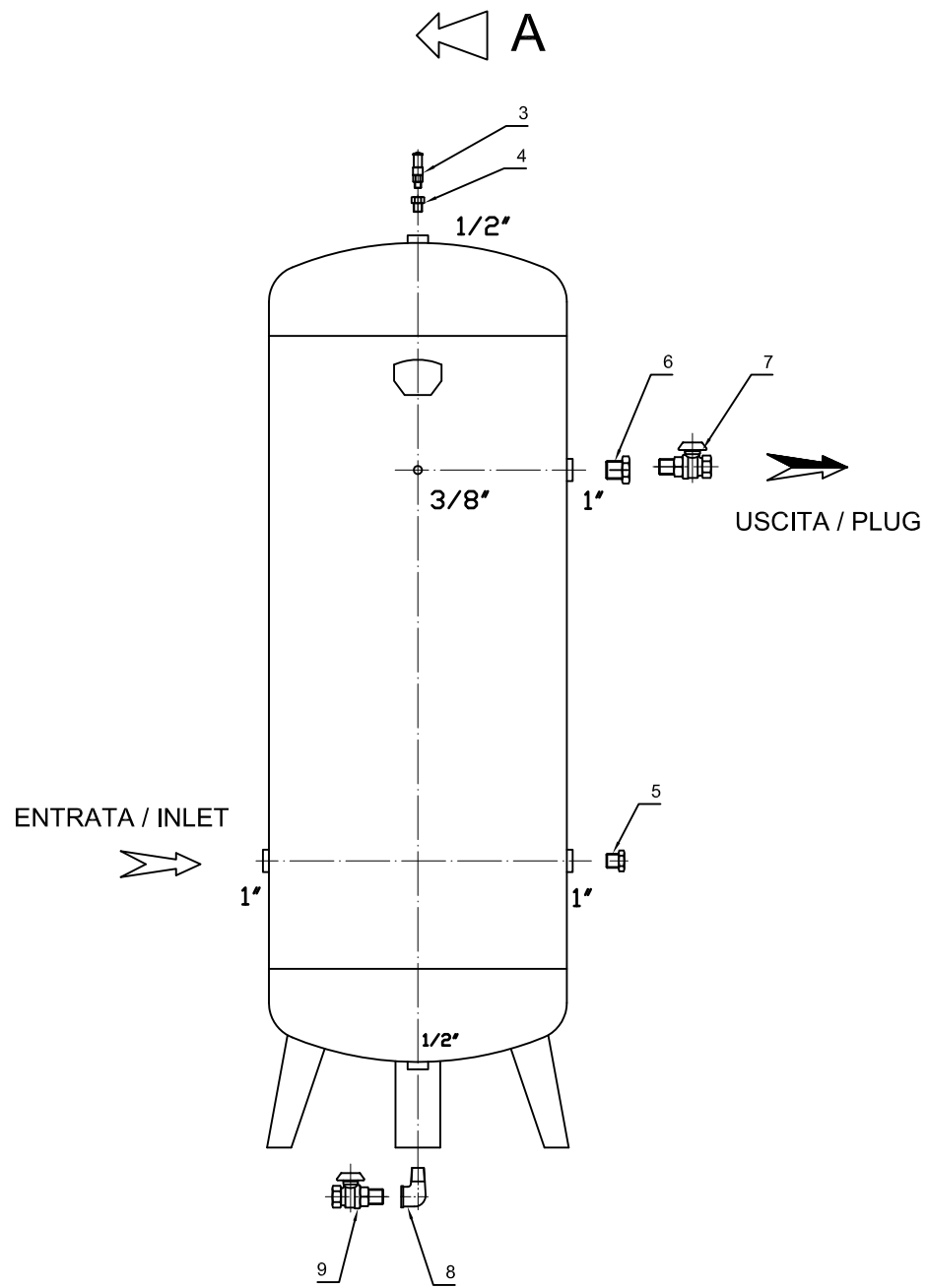
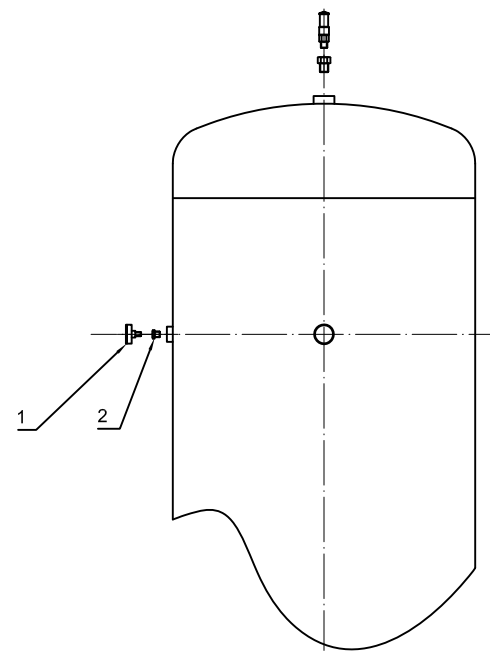


VISTA DA "A"
VIEW TO "A"



Pos.	Descrizione / Description
1	Manometro 1/4" / 1/4" Air gauge
2	Riduz. 3/8" -1/4" / 3/8"-1/4" Reduction
3	Valv. sic. 3/8" 11B / 3/8" 11B Safety valve
4	Riduz. 1/2"-3/8" / 1/2"-3/8" Reduction
5	Tappo 1" / 1" Plug
6	Riduzione 1"-3/4" / 1"-3/4" Reduction
7	Rubinetto 3/4" / 3/4" Faucet
8	Gomito 1/2" / 1/2" Elbow
9	Rubinetto 1/2" / 1/2" Faucet

CLASSIFICAZIONE PRODOTTO E RELATIVE CARATTERISTICHE
 SECONDO SPECIFICHE TECNICHE "ABAC" 335/07 , 001/95
 CLASSE FUNZIONALE 2 E SECONDO IL CAPITOLATO
 GENERALE PER FORNITURE ESTERNE "MOD. "AQ 40/115"

PRODUCT CLASSIFICATION AND DISTINCTIVE FEATURES
 ACCORDING TO "ABAC" TECHNICAL SPECIFICATIONS 335/07, 001/95
 FUNCTIONAL CLASS:2 AND ACCORDING TO THE GENERAL
 CONDITIONS FOR EXTERNAL SUPPLY MOD. "AQ 40/115"

Tolerances, if not indicated, according to:		Mach.surf./Holes			
STANDARD CLASS		UNI EN 22768-1m			
Name Vertical tank LT270 CE 11 Bar + KIT				Secrecy Class	
Material					
Treatment Painted blue RAL 5015				CAD	
	Scale 1:20	Family	A3	Compare	Drawing owner ITK
	Drawn by OCCELLI	Blank nr.		Replaces	
STATUS	Dwg.Ver. 00	Blank wt. Kg	Fini wt. 0.0Kg	Designation	Sheet 1 / 1
Ed	Position	Modified from	Date	Intr./Appd.	2236100972
				Ed . CAD	APPROVED
				Des checked.	Prod checked.
				Approved	Date 14.01.2009
					2236100972

This document is our property and shall not without our permission be altered, copied, used for manufacturing or communicated to any other person or company.