



OMEGA AIR

AIR TREATMENT

PRICE LIST 2026

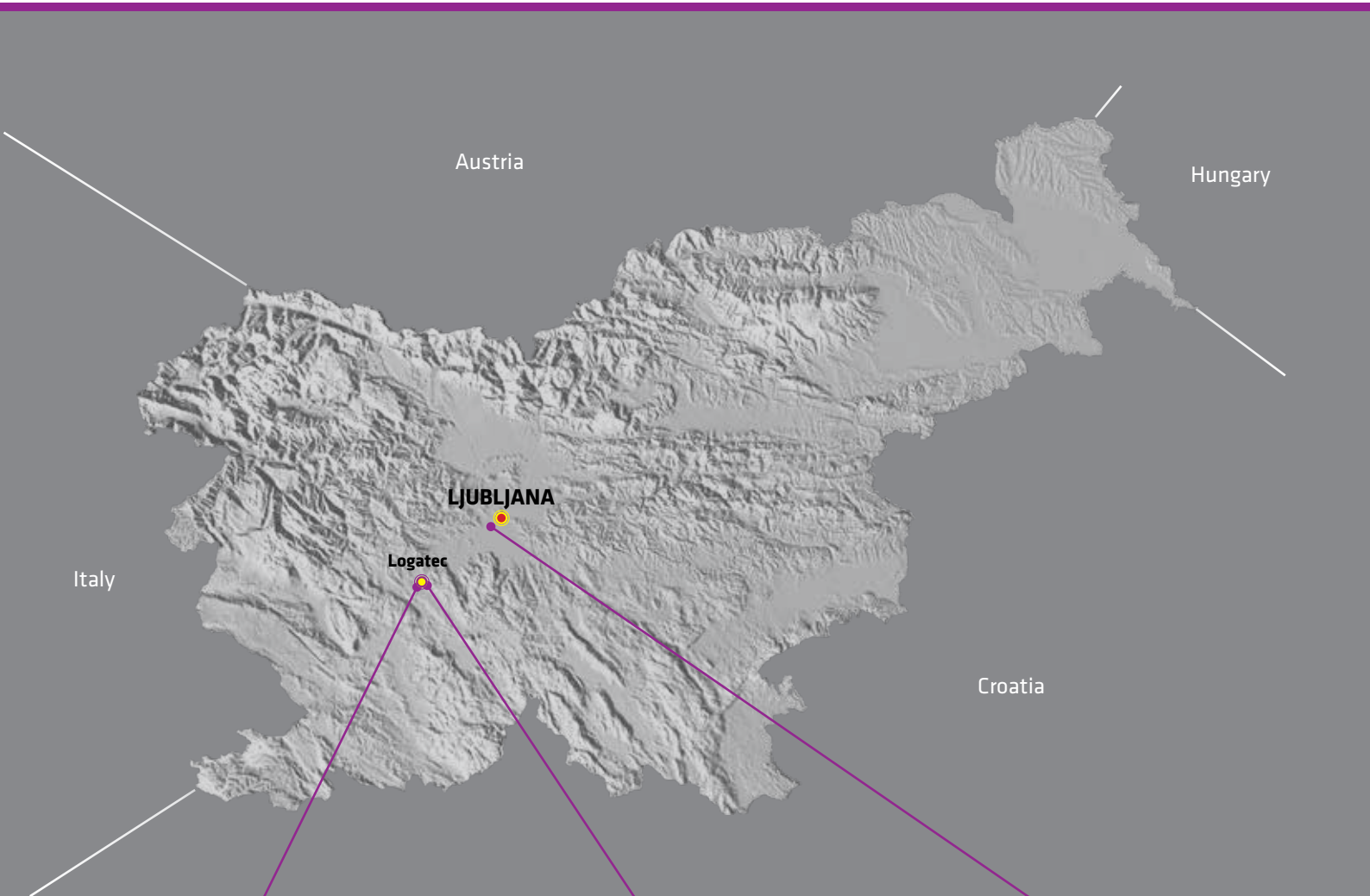


OMEGA AIR d.o.o. Ljubljana

Cesta Dolomitskega odreda 10, 1000 Ljubljana, Slovenia

+386 1 200 68 00 | info@omega-air.si

www.omega-air.si



OMEGA AIR Logatec I
Logatec, Slovenia

Main warehouse and logistic center
Compressors and technique department

Logistic center 9.000 m²
Covered production 4.000 m²



OMEGA AIR Logatec II
Logatec, Slovenia

Service centre
Welding department
Dryers production

Land: 100.000 m²
Covered production 12.500 m²



OMEGA AIR d.o.o. Ljubljana HQ
Ljubljana, Slovenia

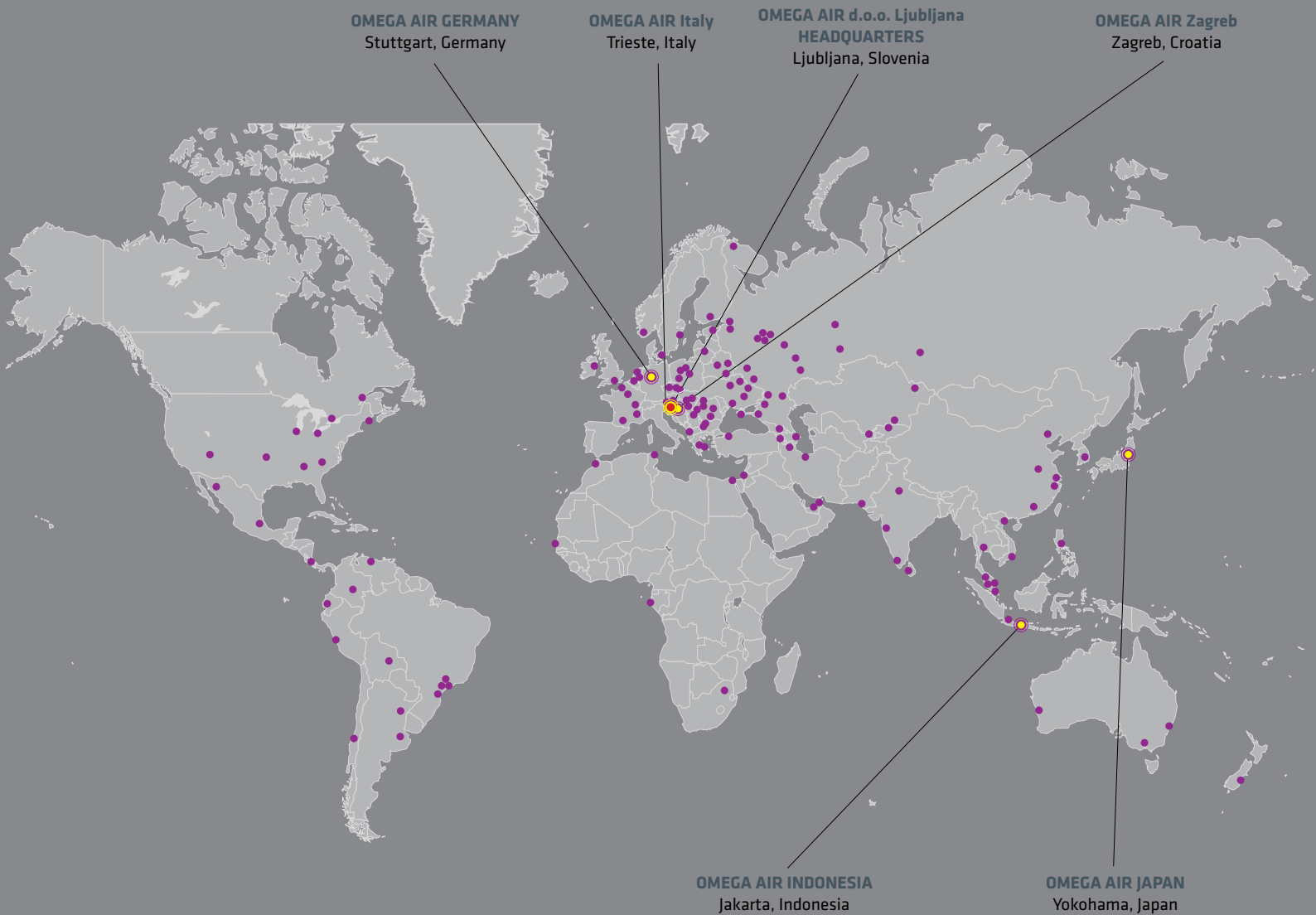
Head office
R & D
Sales office
Production halls

Area: 6.600 m²

OMEGA AIR

more than air

GPS: 46°2'27.13" 14°27'59.46"
N46.04092, E14.46667



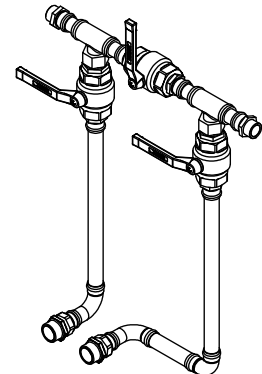
- OMEGA AIR Headquarters
- OMEGA AIR Subsidiary/ Representative office
- OMEGA AIR Customers

RDP

REFRIGERATION COMPRESSED AIR DRYERS

operating pressure

16/14 bar



Option: Bypass

TECHNICAL DATA & PRICES													PG/8			
Model	Air flow*		Operating pressure bar	Pressure drop bar	Power supply f/V/Hz	Dimensions			Air connections	Condensate drain	Refrigerant	Weight kg	CODE	Gross price	BYPASS CODE	Bypass Gross price
	m ³ /h	scfm				W	L	H						EUR		EUR
RDP 20	20	11,76	16	<0,2	1/230/50*	352	485	592	G 3/4" BSP-F	EMD 12	R513a	25	2058486	1.495,54	2003260	492,45
RDP 35	35	20,59	16	<0,2	1/230/50*	352	485	592	G 3/4" BSP-F	EMD 12	R513a	25	2058487	1.534,73	2003260	492,45
RDP 50	50	29,41	16	<0,2	1/230/50 230/60	352	485	592	G 1" BSP-F	EMD 12	R513a	26	2058488	1.586,97	2003261	597,26
RDP 75	75	44,12	16	<0,2	1/230/50*	352	485	592	G 1" BSP-F	EMD 12	R513a	27	2058489	1.626,15	2003261	597,26
RDP 100	100	58,82	16	<0,2	1/230/50 230/60	355	550	592	G 1" BSP-F	EMD 12	R513a	32	2058490	1.717,58	2003263	618,78
RDP 140	140	82,35	16	<0,2	1/230/50 230/60	355	550	592	G 1" BSP-F	EMD 12	R513a	50	2058491	1.991,87	2003263	618,78
RDP 180	180	105,88	16	<0,2	1/230/50*	495	558	826	G 1 1/2" BSP-F	EMD 12	R513a	52	2058492	2.246,56	2003264	1.076,73
RDP 235	235	138,24	16	<0,2	1/230/50*	495	558	826	G 1 1/2" BSP-F	EMD 12	R513a	56	2058493	2.337,98	2003264	1.076,73
RDP 300	300	176,47	16	<0,2	1/230/50*	495	558	826	G 1 1/2" BSP-F	EMD 12	R513a	84	2058494	2.782,08	2003264	1.076,73
RDP 380	380	223,53	16	<0,2	1/230/50 230/60	495	558	826	G 1 1/2" BSP-F	EMD 12	R513a	90	2058495	3.180,47	2003264	1.076,73
RDP 480	480	282,35	16	<0,2	1/230/50 230/60	495	558	826	G 1 1/2" BSP-F	EMD 12	R513a	99	2058496	3.872,71	2003264	1.076,73
RDP 600	600	352,94	16	<0,2	1/230/50 230/60	491	708	973	G 2" BSP-F	EMD 12	R513a	110	2060004	5.087,42	2001189	1.639,22
RDP 750	750	441,18	16	<0,2	3/400/50 440/60	491	708	973	G 2" BSP-F	EMD 12	R513a	120	2060005	6.080,10	2001189	1.639,22
RDP 950	950	558,82	16	<0,2	3/400/50 440/60	491	708	973	G 2" BSP-F	EMD 12	R513a	150	2060006	7.686,66	2001189	1.639,22
RDP 1150	1.150	676,47	16	<0,2	3/400/50 440/60	662	856	1.534	G 2 1/2" BSP-F	EMD 12	R513a	250	2060007	10.834,45	/	/
RDP 1300	1.300	764,71	16	<0,2	3/400/50 440/60	662	856	1.534	G 2 1/2" BSP-F	EMD 12	R513a	280	2060008	11.487,52	/	/
RDP 1500	1.500	882,35	16	<0,2	3/400/50 440/60	662	856	1.534	G 2 1/2" BSP-F	EMD 12	R513a	290	2060009	13.969,20	/	/
RDP 1900	1.900	1.117,65	16	<0,2	3/400/50 440/60	662	856	1.534	G 2 1/2" BSP-F	EMD 12	R513a	310	2060010	16.313,71	/	/
RDP 2600	2.600	1.529,41	14	<0,2	3/400/50 440/60	870	1.502	1.888	DN100	AOK 20B	R513a	500	2058802	28.016,75	/	/
RDP 3400	3.400	2.000,00	14	<0,2	3/400/50 440/60	870	1.502	1.888	DN100	AOK 20B	R513a	550	2058803	30.034,74	/	/
RDP 4400	4.400	2.588,24	14	<0,2	3/400/50 440/60	1.522	1.307	1.995	DN125	AOK 20B	R513a	767	12000181	34.867,48	/	/
RDP 5400	5.400	3.176,47	14	<0,2	3/400/50 440/60	1.522	1.307	1.995	DN125	AOK 20B	R513a	787	2058643	45.003,14	/	/
RDP 6600	6.600	3.882,35	14	<0,2	3/400/50 440/60	1.628	1.367	1.897	DN150	AOK 20B	R513a	920	12000183	53.486,52	/	/
RDP 7200	7.200	4.235,29	14	<0,2	3/400/50 440/60	1.603	1.944	1.864	DN150	AOK 20B	R513a	1.200	12000184	56.157,59	/	/
RDP 8800	8.800	5.176,47	14	<0,2	3/400/50 440/60	1.659	2.070	1.968	DN200	AOK 20B	R513a	1.237	12000185	77.388,94	/	/
RDP 10800	10.800	6.352,94	14	<0,2	3/400/50 440/60	1.579	1.945	1.872	DN200	AOK 20B	R513a	1.350	12000177	89.202,99	/	/
RDP 13200	13.200	7.764,71	14	<0,2	3/400/50 440/60	1.808	2.599	2.000	DN200	AOK 20B	R513a	1.443	12000178	105.784,46	/	/

*Nominal conditions: inlet flow 20 °C at 1 bara, ambient 25 °C, dryer inlet 35 °C at 7 barg, 3 °C pressure dew point (-20,5 °C atmospheric).

** Special 60 Hz version available.

CORRECTION FACTOR FOR OPERATING PRESSURE CHANGES									
Operating pressure [bar]	4	5	6	7	8	10	12	14	16
Operating pressure [psi]	58	72	87	100	115	145	174	203	232
Correction factor	0,77	0,86	0,93	1,00	1,05	1,14	1,21	1,27	1,32

CORRECTION FACTOR FOR INLET AIR TEMPERATURE CHANGES							
Temperature [°C]	≤25	30	35	40	45	50	55
Temperature [°F]	77	86	95	104	113	122	131
Correction factor	1,2	1,12	1	0,83	0,69	0,59	0,5

CORRECTION FACTOR FOR DEW POINT CHANGES				
Temperature [°C]	3	5	7	10
Temperature [°F]	37,4	41	44,6	50
Correction factor	1	1,1	1,21	1,39

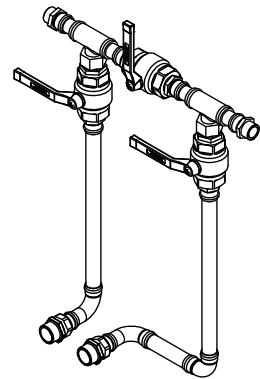
CORRECTION FACTOR FOR AMBIENT TEMPERATURE CHANGES					
Temperature [°C]	≤25	30	35	40	45
Temperature [°F]	77	86	95	104	113
Correction factor	1	0,96	0,9	0,82	0,72



RDP ES

ENERGY SAVING REFRIGERATION DRYERS

operating pressure

16/14 bar


Option: Bypass

TECHNICAL DATA & PRICES

PG/8

Model	Air flow*		Power supply f/V/Hz	Operating pressure bar	Pressure drop bar	Dimensions			Air connections	Condensate drain	Refrigerant	Weight kg	CODE	Gross price EUR	Bypass CODE	Bypass Gross price EUR
	m ³ /h	scfm				W	L	H								
RDP ES 950	950	558,82	3/400/50 3/440/60	16	<0,2	491	708	973	G 2" BSP-F	EMD 12	R513a	150		15.122,66	2001189	1.639,22
RDP ES 1150	1.150	676,47	3/400/50 3/440/60	16	<0,2	662	856	1.534	G 2 1/2" BSP-F	EMD 12	R513a	250		18.270,45	/	/
RDP ES 1300	1.300	764,71	3/400/50 3/440/60	16	<0,2	662	856	1.534	G 2 1/2" BSP-F	EMD 12	R513a	280		18.923,52	/	/
RDP ES 1500	1.500	882,35	3/400/50 3/440/60	16	<0,2	662	856	1.534	G 2 1/2" BSP-F	EMD 12	R513a	290		21.405,20	/	/
RDP ES 1900	1.900	1.117,65	3/400/50 3/440/60	16	<0,2	662	856	1.534	G 2 1/2" BSP-F	EMD 12	R513a	310		23.749,71	/	/
RDP ES 2600	2.600	1.529,41	3/400/50 3/440/60	14	<0,2	1.044	1.477	1.797	DN100	AOK 20B	R513a	500	2058694	35.452,75	/	/
RDP ES 3400	3.400	2.000,00	3/400/50 3/440/60	14	<0,2	1.044	1.477	1.797	DN100	AOK 20B	R513a	550	2060103	37.886,74	/	/
RDP ES 4400	4.400	2.588,24	3/400/50 3/440/60	14	<0,2	1.522	1.357	1.907	DN125	AOK 20B	R513a	767	2059266	45.787,48	/	/
RDP ES 5400	5.400	3.176,47	3/400/50 3/440/60	14	<0,2	1.628	1.455	1.907	DN125	AOK 20B	R513a	787		55.923,14	/	/
RDP ES 6600	6.600	3.882,35	3/400/50 3/440/60	14	<0,2	1.628	1.367	1.897	DN150	AOK 20B	R513a	920		64.406,52	/	/
RDP ES 7200	7.200	4.235,29	3/400/50 3/440/60	14	<0,2	1.603	1.944	1.864	DN150	AOK 20B	R513a	1.200		67.753,59	/	/
RDP ES 8800	8.800	5.176,47	3/400/50 3/440/60	14	<0,2	1.579	1.945	1.872	DN200	AOK 20B	R513a	1.237		88.984,94	/	/
RDP ES 10800	10.800	6.352,94	3/400/50 3/440/60	14	<0,2	1.579	1.945	1.872	DN200	AOK 20B	R513a	1.350		101.994,99	/	/
RDP ES 13200	13.200	7.764,71	3/400/50 3/440/60	14	<0,2	1.808	2.599	2.000	DN200	AOK 20B	R513a	1.443		118.576,46	/	/

*Nominal conditions: inlet flow 20 °C at 1 bara, ambient 25 °C, dryer inlet 35 °C at 7 bar_a, 3 °C pressure dew point (-20,5 °C atmospheric).

CORRECTION FACTOR FOR OPERATING PRESSURE CHANGES

Operating pressure [bar]	4	5	6	7	8	10	12	14	16
Operating pressure [psi]	58	72	87	100	115	145	174	203	232
Correction factor	0,77	0,86	0,93	1,00	1,05	1,14	1,21	1,27	1,32

CORRECTION FACTOR FOR DEW POINT CHANGES

Temperature [°C]	3	5	7	10
Temperature [°F]	37,4	41	44,6	50
Correction factor	1	1,1	1,21	1,39

CORRECTION FACTOR FOR INLET AIR TEMPERATURE CHANGES

Temperature [°C]	≤25	30	35	40	45	50	55
Temperature [°F]	77	86	95	104	113	122	131
Correction factor	1,2	1,12	1	0,83	0,69	0,59	0,5

CORRECTION FACTOR FOR AMBIENT TEMPERATURE CHANGES

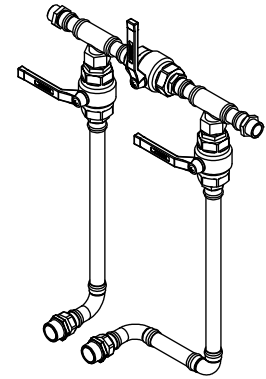
Temperature [°C]	≤25	30	35	40	45
Temperature [°F]	77	86	95	104	113
Correction factor	1	0,96	0,9	0,82	0,72

RDT

REFRIGERATION COMPRESSED AIR DRYERS WITH TIMER DRAIN

operating pressure

16 bar



Option: Bypass

TECHNICAL DATA & PRICES

PG/8

Model	Air flow*		Power supply f/N/Hz	Power W	Pressure drop bar	Dimensions			Air connections	Condensate drain	Refrigerant	Weight kg	CODE	Gross price EUR	Bypass CODE	Bypass Gross price EUR
	m³/h	scfm				W	L	H								
RDT 20	20	11,76	1~230~50*	135	0,2	352	485	592	G 3/4" BSP-F	Timer drain	R513a	25	2057350	1.410,64	2003260	492,45
RDT 35	35	20,59	1~230~50*	135	0,2	352	485	592	G 3/4" BSP-F	Timer drain	R513a	25	2057315	1.449,82	2003260	492,45
RDT 50	50	29,41	1/230/50 230/60	180	0,2	352	485	592	G 1" BSP-F	Timer drain	R513a	26	2058740	1.502,06	2003260	492,45
RDT 75	75	44,12	1~230~50*	250	0,2	352	485	592	G 1" BSP-F	Timer drain	R513a	27	2058741	1.541,25	2003261	597,26
RDT 100	100	58,82	1/230/50 230/60	320	0,2	355	550	592	G 1" BSP-F	Timer drain	R513a	32	2058742	1.632,68	2003263	618,78
RDT 140	140	82,35	1/230/50 230/60	450	0,2	355	550	592	G 1" BSP-F	Timer drain	R513a	50	2058743	1.906,96	2003263	618,78
RDT 180	180	105,88	1/230/50*	500	0,2	495	558	826	G 1 1/2" BSP-F	Timer drain	R513a	52	2058897	2.161,67	2003264	1.076,73
RDT 235	235	138,24	1/230/50*	600	0,2	495	558	826	G 1 1/2" BSP-F	Timer drain	R513a	56	2058898	2.253,10	2003264	1.076,73
RDT 300	300	176,47	1/230/50*	700	0,2	495	558	826	G 1 1/2" BSP-F	Timer drain	R513a	84	2058899	2.697,19	2003264	1.076,73
RDT 380	380	223,53	1/230/50 230/60	800	0,2	495	558	826	G 1 1/2" BSP-F	Timer drain	R513a	90	2058900	3.095,55	2003264	1.076,73
RDT 480	480	282,35	1/230/50 230/60	1.000	0,2	495	558	826	G 1 1/2" BSP-F	Timer drain	R513a	99	2060076	3.787,82	2003264	1.076,73
RDT 600	600	352,94	1/230/50 230/60	1.100	0,2	491	708	973	G 2" BSP-F	Timer drain	R513a	110	2060077	5.002,52	2001189	1.639,22
RDT 750	750	441,18	3/400/50 440/60	1.500	0,2	491	708	973	G 2" BSP-F	Timer drain	R513a	120	2060078	5.995,19	2001189	1.639,22
RDT 950	950	558,82	3/400/50 440/60	1.900	0,2	491	708	973	G 2" BSP-F	Timer drain	R513a	150	2060079	7.601,74	2001189	1.639,22
RDT 1150	1.150	676,47	3/400/50 440/60	2.000	0,2	662	856	1.534	G 2 1/2" BSP-F	Timer drain	R513a	250	2060080	10.749,55	/	/
RDT 1300	1.300	764,71	3/400/50 440/60	2.300	0,2	662	856	1.534	G 2 1/2" BSP-F	Timer drain	R513a	280	2060081	11.402,62	/	/
RDT 1500	1.500	882,35	3/400/50 440/60	2.400	0,2	662	856	1.534	G 2 1/2" BSP-F	Timer drain	R513a	290	2060082	13.884,29	/	/
RDT 1900	1.900	1.117,65	3/400/50 440/60	3.400	0,2	662	856	1.534	G 2 1/2" BSP-F	Timer drain	R513a	310	2060083	16.228,82	/	/

*Nominal conditions: inlet flow 20 °C at 1 bara, ambient 25 °C, dryer inlet 35 °C at 7 barg, 3 °C pressure dew point (-20,5 °C atmospheric).
 ** Special 60 Hz version available.

CORRECTION FACTOR FOR OPERATING PRESSURE CHANGES

Operating pressure [bar]	4	5	6	7	8	10	12	14	16
Operating pressure [psi]	58	72	87	100	115	145	174	203	232
Correction factor	0,77	0,86	0,93	1,00	1,05	1,14	1,21	1,27	1,32

CORRECTION FACTOR FOR DEW POINT CHANGES

Temperature [°C]	3	5	7	10
Temperature [°F]	37,4	41	44,6	50
Correction factor	1	1,1	1,21	1,39

CORRECTION FACTOR FOR INLET AIR TEMPERATURE CHANGES

Temperature [°C]	≤25	30	35	40	45	50	55
Temperature [°F]	77	86	95	104	113	122	131
Correction factor	1,2	1,12	1	0,83	0,69	0,59	0,5

CORRECTION FACTOR FOR AMBIENT TEMPERATURE CHANGES

Temperature [°C]	≤25	30	35	40	45
Temperature [°F]	77	86	95	104	113
Correction factor	1	0,96	0,9	0,82	0,72

Data refer to the following nominal conditions: inlet flow 20 °C at 1 bara, ambient 25 °C, dryer inlet 35 °C at 7 barg, 3 °C pressure dew point (-20,5 °C atmospheric).
 Max. working condition: Ambient temperature 45 °C, inlet air temperature 55 °C and inlet air pressure 16 bar.



RDL**REFRIGERATION COMPRESSED AIR DRYERS**

operating pressure

13 bar**TECHNICAL DATA & PRICES**

PG/8

Model	Air flow*		Connections IN/OUT ø	Supply f/V/Hz	Power consumption** kW	Refrigerant R513a kg	Dimensions			Weight kg	CODE	Gross price EUR
	m ³ /h	scfm					W	L	H			
RDL 35	35	20,6	G 1/2" BSP-F	1~230-50*	0,17 / 0,13	0,30	236	532	665	23	2058250	1.243,64
RDL 75	75	44,14	G 3/4" BSP-F	1~230-50/230-60	0,40 / 0,25	0,35	236	532	665	24	2058252	1.356,14
RDL 100	100	58,86	G 1" BSP-F	1~230-50/230-60	0,43 / 0,29	0,37	236	532	665	30	2058253	1.449,88
RDL 180	180	105,94	G 1" BSP-F	1~230-50/230-60	0,52 / 0,37	0,42	236	573	763	46	2058254	1.868,59
RDL 235	235	138,32	G 1 1/2" BSP-F	1~230-50*	0,61 / 0,46	0,65	236	573	763	49	2058256	1.987,34
RDL 380	380	223,53	G 1 1/2" BSP-F	1~230-50*	1,1/0,8	0,55	288	778	826	70	2058282	2.785,12
RDL 480	480	282,35	G 1 1/2" BSP-F	1~230-50/230-60	1,2/1,0	0,61	288	778	826	72	2058337	3.342,14

* Nominal conditions: inlet flow 20 °C at 1 bara, ambient 25 °C, dryer inlet 35°C at 7 barg, 5 °C pressure dew point (-19,3 °C atmospheric).

** For 60 Hz 20 % more than stated, consumption at nominal conditions.

- Special 60 Hz version available.

CORRECTION FACTOR FOR OPERATING PRESSURE CHANGES

Operating pressure [bar]	4	5	6	7	8	10	12	13
Operating pressure [psi]	58	72	87	100	115	145	174	189
Correction factor	0,77	0,86	0,93	1,00	1,05	1,14	1,21	1,24

CORRECTION FACTOR FOR DEW POINT CHANGES

Temperature [°C]	3	5	7	10
Temperature [°F]	37,4	41	44,6	50
Correction factor	0,9	1,0	1,1	1,26

CORRECTION FACTOR FOR INLET AIR TEMPERATURE CHANGES

Temperature [°C]	≤25	30	35	40	45	50	55
Temperature [°F]	77	86	95	104	113	122	131
Correction factor	1,2	1,12	1	0,83	0,69	0,59	0,5

CORRECTION FACTOR FOR AMBIENT TEMPERATURE CHANGES

Temperature [°C]	≤25	30	35	40	45
Temperature [°F]	77	86	95	104	113
Correction factor	1	0,96	0,9	0,82	0,72

Data refer to the following nominal conditions: Ambient temperature of 25 °C, with inlet air at 7 barg and 35 °C and pressure dew point 5 °C in accordance to ISO8573-1 class 6. All models are equipped with R134a refrigerant. Max. operating condition : Ambient temperature 45 °C , Inlet air temperature 55 °C and Inlet air pressure 16 barg.

RDHP

HIGH PRESSURE REFRIGERATION COMPRESSED AIR DRYERS

operating pressure

45 bar



TECHNICAL DATA & PRICES

PG/8

Model	Air flow*		Air connection IN / OUT	Supply f/W/Hz	Pressure drop bar	Refrigerant type	Dimensions			Mass kg	CODE	Gross price EUR
	m ³ /h	scfm					W mm	L mm	H mm			
RDHP 20	20	11,76	G 3/8" BSP-F	1/230/50*	<0,3	R513a	352	485	499	24	2058646	2.148,61
RDHP 35	35	20,59	G 3/8" BSP-F	1/230/50*	<0,3	R513a	352	485	499	24	2058647	2.220,44
RDHP 50	50	29,41	G 3/8" BSP-F	1/230/50*	<0,3	R513a	352	485	499	25	2058648	2.305,35
RDHP 75	75	44,12	G 3/8" BSP-F	1/230/50 230/60	<0,3	R513a	352	485	499	26	2058649	2.533,91
RDHP 100	100	58,82	G 3/8" BSP-F	1/230/50 230/60	<0,3	R513a	352	485	499	31	2058650	3.389,44
RDHP 140	140	82,35	G 1/2" BSP-F	1/230/50 230/60	<0,3	R513a	356	552	684	44	2058651	3.892,31
RDHP 180	180	105,88	G 1/2" BSP-F	1/230/50 230/60	<0,3	R513a	356	552	684	49	2058652	4.297,21
RDHP 235	235	138,24	G 1/2" BSP-F	1/230/50 230/60	<0,3	R513a	356	552	684	53	2058653	4.610,68
RDHP 300	300	176,47	G 3/4" BSP-F	1/230/50*	<0,3	R513a	495	589	827	62	2058654	5.544,57
RDHP 380	380	223,53	G 3/4" BSP-F	1/230/50*	<0,3	R513a	495	589	827	65	2058655	5.740,50
RDHP 480	480	282,35	G 1" BSP-F	1/230/50 230/60	<0,3	R513a	495	589	827	88	2058656	5.936,41
RDHP 600	600	352,94	G 1" BSP-F	1/230/50 230/60	<0,3	R513a	491	708	973	91	2058657	7.725,84
RDHP 750	750	441,18	G 1" BSP-F	1/230/50 230/60	<0,3	R513a	491	708	973	105	2058658	9.521,77
RDHP 950	950	558,82	G 1" BSP-F	1/230/50 230/60	<0,3	R513a	491	708	973	111	2058659	10.775,68
RDHP 1500	1.500	882,35	G 2" BSP-F	3/400/50 440/60	<0,3	R513a	662	856	1.534	210	2060084	19.935,85
RDHP 1900	1.900	1.117,65	G 2" BSP-F	3/400/50 440/60	<0,3	R513a	662	856	1.534	275	2060085	21.185,76
RDHP 2250	2.250	1.323,53	G 2" BSP-F	3/400/50 440/60	<0,3	R513a	662	856	1.534	286	2060086	23.598,06
RDHP 2850	2.850	1.676,47	DN 80	3/400/50 440/60	<0,3	R513a	662	856	1.534	320	2060087	26.860,28
RDHP 3800	3.800	2.235,29	DN 80	3/400/50 440/60	<0,3	R513a	702	1.010	2.013	390	2060088	33.072,28
RDHP 4750	4.750	2.794,12	DN 80	3/400/50 440/60	<0,3	R513a	702	1.010	2.013	410	2060089	40.796,63

*Nominal condition: inlet flow 20 °C at 1 bara, ambient 25 °C, dryer inlet 35 °C at 40 barg, 3 °C pressure dew point (-36,6 °C atmospheric).

CORRECTION FACTOR FOR OPERATING PRESSURE CHANGES

Operating pressure [bar]	15	20	25	30	35	40	45
Operating pressure [psi]	218	290	363	435	508	580	652
Correction factor	0,57	0,70	0,80	0,88	0,94	1,00	1,05

CORRECTION FACTOR FOR DEW POINT CHANGES

Temperature [°C]	3	5	7	10
Temperature [°F]	37,4	41	44,6	50
Correction factor	1,00	1,09	1,19	1,37

CORRECTION FACTOR FOR INLET AIR TEMPERATURE CHANGES

Temperature [°C]	≤25	30	35	40	45	50	55
Temperature [°F]	77	86	95	104	113	122	131
Correction factor	1,20	1,12	1,00	0,83	0,69	0,59	0,50

CORRECTION FACTOR FOR AMBIENT TEMPERATURE CHANGES

Temperature [°C]	≤25	30	35	40	45
Temperature [°F]	77	86	95	104	113
Correction factor	1	0,96	0,9	0,82	0,72

Data refer to the following nominal conditions: Ambient temperature of 25 °C, with inlet air at 40 barg and 35 °C and pressure dew point 3 °C in accordance to ISO8573-1 class 6. All models are equipped with R134a refrigerant. Max. operating condition: Ambient temperature 45 °C, Inlet air temperature 55 °C and Inlet air pressure 16 barg.



RDP/RDP ES/RDT

SERVIS PARTS

DESCRIPTION	Part Number	RDP/RDT																			Gross Price	
		0020	0035	0050	0075	0100	0140	0180	0235	0300	0380	0480	0600	0750	0950	1150	1300	1500	1900	2600	EUR	
Compressor	1401365	1	1	1																	206,12	
	1401437				1																208,31	
	1401431					1	1														234,36	
	1401369							1													284,65	
	1401439								1												270,82	
	1401440									1	1										583,28	
	1401441											1	1								656,20	
	1401374													1								1.041,58
	1401375														1	1						1.150,95
	1401376																1	1				1.583,20
	1401410																			1		1.650,91
1401421																				1	3.708,03	
Fan & Condenser pack	2101729					1	1	1													212,19	
	2101700								1			2									281,23	
	2101701									1	1		2	2							302,06	
	2101732														1	1					1.312,40	
	2101802																2	2			1.124,91	
Condenser	2101822	1	1																		83,32	
	2101839			1	1	1															109,37	
	2101855																			1	1.426,96	
Fan	1101981																			1	395,28	
Fan motor	2101864	1	1	1	1	1															25,78	
Fan blade	2101865	1	1	1	1	1															6,19	
Fan diffuser	2101863	1	1	1	1	1															12,47	
Hot gas by-pass valve	2204737	1	1	1	1	1	1	1													135,41	
	2204746								1	1											187,48	
	2204736										1	1									187,48	
	2204748												1	1	1						401,01	
	2204749															1	1	1			635,37	
Expansion valve	2204771																			1	614,54	
Expansion valve connector	2204773																			1	33,28	
Filter	2101578	1	1	1	1																2,70	
	2100441					1	1														3,70	
	2100597							1	1												4,37	
	2101609									1	1										5,21	
	2300921											1	1	1	1						26,04	
	2300922														1	1	1	1			41,04	
	2300925																			1	120,00	
	Fan regulation pressure switch	3000412								1*	1	1	1	1	1	1	1	1	1	1	1	109,99
"Fan regulator pressure switch kit for serial number till 21RD003131"	2060070								1*	1	1	1	1	1	1	1	1	1	1	1	161,87	
High pressure switch	3001423													1	1	1	1	1	1	1	50,62	
Low pressure switch	3001388													1	1	1	1	1	1	1	50,47	
Controller	2060120	1	1	1	1	1	1	1	1	1	1	1	1	1	1	1	1	1	1	1	81,91	
Controller 115V	2103153	1	1	1	1	1	1	1	1	1	1	1	1	1	1	1	1	1	1	1	/	
Pressure transducer PP011	2101898																				1	264,98
PT1000 probe PMT6-67	3000857																				1	30,36
XEV 22 D Dixell Driver	2101897																				1	364,34
NTC temperature probe 1m	4001120	3	3	3	3	3	3	3	3	3	3	3									13,12	
NTC temperature probe 2m	4001328													3	3	3	3	3	3	3	3	15,37
Main 1 - phase Switch	1219579	1	1	1	1	1	1	1	1	1	1	1									12,38	
Main 3 - phase Switch	3001135													1	1	1	1	1	1		71,87	
	3001156																				1	40,40
Main 3 - phase Switch - handle	3001136													1	1	1	1	1	1	1	9,90	
Electronic drain RDP	321900860	1	1	1	1	1	1	1	1	1	1	1	1	1	2	2	2	2	2	1	161,86	
Time drain RDT	321900862	1	1	1	1	1	1	1	1	1	1	1	1	1	2	2	2	2	2		/	
Manual drain RDP	3400192																				1	/
1 - phase circuit breaker	3003681													1	1	1	1	1	1	1	1	16,72
3 - phase circuit breaker	3003715													1	1	1	1	1	1		45,42	
	3003713																				1	45,42
Phase protection relay	3003527																				1	175,29
Contactor	3001134													1	1	1	1	1	1		45,35	
	3001162																				1	68,74
	3003680													1								74,41
Motor protection	3003682														1	1	1				74,41	
	3003683																	1	1		80,40	
	3003695																				1	80,40
	3003699																				1	74,41

* Included till serial number 22RD000277

Notice: For the correct spare parts list contact your supplier/manufacturer.

RDL

SERVIS PARTS

DESCRIPTION	Part Number	RDL					Gross Price
		35	75	100	180	235	EUR
Compresor	1401369					1	284,65
	1401417				1		274,35
	1401437		1	1			208,31
	1401365	1					206,12
3-in-1 heat exchanger	2001358					1	433,49
	2001357				1		351,89
	2001901			1			254,98
	2001900		1				234,58
Fan & condenser pack	2001356	1					163,62
	2101729				1	1	212,19
Condenser	2101839			1			109,37
	2101822	1	1				83,32
Fan	3514148	1	1	1			63,80
Fan - motor	2101864	1	1	1			25,78
Fan - diffuser	2101863	1	1	1			12,47
Fan - blade	2101865	1	1	1			6,19
Refrigerant filter	2100597				1	1	4,37
	2101578	1	1	1			2,70
Condensate drain	321900865	1	1	1	1	1	46,62
RDC 4.1 controller	2060121	1	1	1	1	1	88,74
NTC - temperature probe	4001120	2	2	2	2	2	5,78
Main power switch	1219579	1	1	1	1	1	12,38

Notice:

For the correct spare parts list contact your supplier/manufacturer.



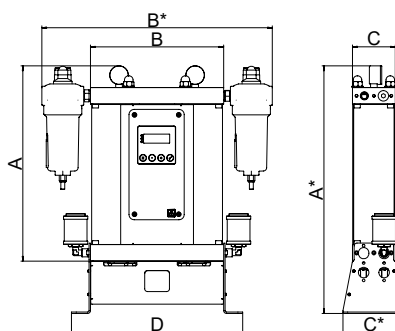
OMEGA AIR

more than air

A-DRY

HEATLESS REGENERATION ADSORPTION COMPRESSED AIR DRYERS

operating pressure

4-16 bar


INCLUDED

- pre-filter with automatic drain AOK 16B and manometer PDI 16
- after-filter with manual drain MCD and manometer PDI 16
- controller includes standard connection for dew point sensor (sensor is not included).

TECHNICAL DATA & PRICES

PG/9

Model	Connection IN/OUT inch	Nominal volume flow		Dimensions							Mass kg	CODE	Gross Price EUR
		Inlet ¹⁾ m ³ /h	Outlet ²⁾ m ³ /h	A mm	A* mm	B mm	B* mm	C mm	C* mm	D mm			
A-DRY 06	G3/8	6	4,7	339	520	280	480	100	130	354	10,5	12002435	1.884,53
A-DRY 12	G3/8	12	9,5	573	715	280	480	100	130	354	13,5	12002436	2.078,53
A-DRY 24	G3/8	24	19	1.041	1.105	280	480	100	130	354	19	12002245	2.508,08
A-DRY 36	G3/8	36	28,4	1.364	1.500	280	480	100	130	354	27,5	12002437	2.979,24
A-DRY 60	G3/4	60	47,4	972	1.105	370	570	148	170	434	45	12002438	3.381,09
A-DRY 75	G3/4	75	59,3	1.167	1.300	370	570	148	170	434	53	12002434	3.713,63
A-DRY 105	G3/4	105	83	1.567	1.700	370	570	148	170	434	70	12002103	4.254,05
A-DRY 150	G1	150	118,5	1.345	1.440	440	725,5	198	240	570	170,5	12002246	6.027,75
A-DRY 200	G1	200	158	1.538	1.655	440	725,5	198	240	570	182,2	12002439	6.457,30

¹⁾ Refers to 1 bar(a) and 20 °C at 7 bar operating pressure, inlet temperature 35 °C and pressure dew point at outlet -40 °C

²⁾ Outlet flow refers to typical assumption during regeneration phase for operating at nominal inlet flow conditions. Outlet flow includes average air losses of approximately 17,3 %.

* If dryer is supplied without inlet filter compressed air class 1 (ISO 8753-1) for solid particles and oil should be provided to the inlet of the dryer.

OPERATING PRESSURE - CORRECTION FACTORS - C_{OP}

Operating pressure [bar]	4	5	6	7	8	9	10	11	12	13	14	15	16
Operating pressure [psi]	58	72	87	100	115	130	145	160	174	189	203	218	232
Correction factor	0,63	0,75	0,88	1	1,13	1,25	1,38	1,50	1,63	1,75	1,88	2,00	2,13

OPERATING TEMPERATURE - CORRECTION FACTORS - C_{OT}

Inlet temperature [°C]	25	30	35	40	45	50
Correction factor	1,00	1,00	1,00	0,97	0,87	0,80

DEW POINT - CORRECTION FACTORS - C_D

[°C]	-25	-40	-70
C _D	1,1	1	0,7



A-DRY

SERVICE KITS

Service kit - 12/36/60 months

- filter elements
- silencers
- packaging

Service kit - 24 months

- filter elements
- silencers
- valve set
- gaskets
- packaging

Service kit - 48 months

- filter elements
- silencers
- valve set
- adsorbent
- gaskets
- packaging

SERVICE KITS 12/36/60 MONTHS			PG/9
SERVICE KIT TYPE	Months	CODE	Gross price EUR
A-DRY 06-36	12/36/60	12001341	202,47
A-DRY 60-75	12/36/60	12001342	215,52
A-DRY 105	12/36/60	12001351	267,77
A-DRY 150-200	12/36/60	12001352	326,54

SERVICE KITS 24 MONTHS			PG/9
SERVICE KIT TYPE	Months	CODE	Gross price EUR
A-DRY 06	24	12001196	659,61
A-DRY 12	24	12001197	659,61
A-DRY 24	24	12001198	659,61
A-DRY 36	24	12001199	659,61
A-DRY 60	24	12001200	735,37
A-DRY 75	24	12001201	735,37
A-DRY 105	24	12001202	735,37
A-DRY 150	24	12001203	816,35
A-DRY 200	24	12001204	816,35

SERVICE KITS 48 MONTHS			PG/9
SERVICE KIT TYPE	Months	CODE	Gross price EUR
A-DRY 06	48	12002667	881,66
A-DRY 12	48	12002668	973,09
A-DRY 24	48	12002669	1.149,41
A-DRY 36	48	12002670	1.312,69
A-DRY 60	48	12002671	1.626,15
A-DRY 75	48	12002672	1.795,96
A-DRY 105	48	12002673	2.076,76
A-DRY 150	48	12002674	2.997,60
A-DRY 200	48	12002675	3.526,59

OPTIONAL EQUIPMENT		PG/9
EQUIPMENT TYPE	CODE	Gross price EUR
Dew point sensor Easidew	2505872	1.794,47
Dew point sensor with cable connection	4000949	1.866,55
Dew point sensor measurement chamber	2505628	184,02
Controller ADC 2.0*		376,13
Controller ADC 2.4**	3401951	1.240,83
A-DRY 06-36 wall mounting kit	12001549	119,36

REMARK:

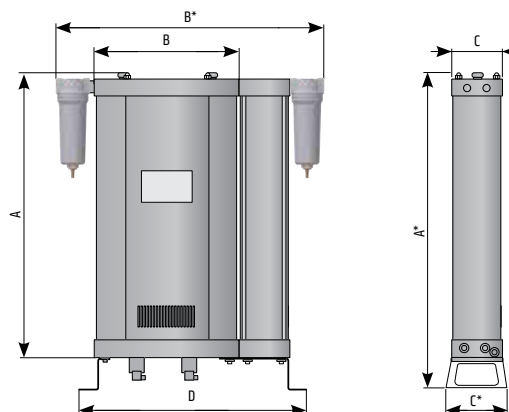
* Controller with communication options (Modbus TCP/IP), Profinet TCP/IP, Web service access).

** Controller with 4-20 mA output for dewpoint and communication options (Modbus TCP/IP, Profinet TCP/IP, Web service access).

A-DRY TAC

ADSORPTION COMPRESSED AIR DRYERS WITH ACTIVATED CARBON TOWER

operating pressure

4-16 bar


INCLUDED

- pre-filter with automatic drain AOK 16B and manometer PDI 16 (are not mounted),
- after-filter with manual drain MCD and manometer PDI 16 (are not mounted),
- controller includes standard connection for dew point sensor (sensor is not included).

TECHNICAL DATA & PRICES

Model	Connection IN/OUT inch	Nominal volume flow		Dimensions							Mass kg	CODE	PG/9 Gross Price EUR
		Inlet ¹ m ³ /h	Outlet ² m ³ /h	A mm	A* mm	B mm	B* mm	C mm	C* mm	D mm			
A-DRY TAC 06	G3/8	6	4,7	520	492	370	470	100	130	444	15	12000123	2.416,36
A-DRY TAC 12	G3/8	12	9,5	715	687	370	470	100	130	444	19,3	12000125	2.723,31
A-DRY TAC 24	G3/8	24	19	1.105	1.077	370	470	100	130	444	27,1	12002074	3.382,90
A-DRY TAC 36	G3/8	36	28,4	1.500	1.467	370	470	100	130	444	39,3	12002373	4.081,70
A-DRY TAC 60	G3/4	60	47,4	1.105	1.077	500	615	148	160	573	64,3	12000127	5.054,77
A-DRY TAC 75	G3/4	75	59,3	1.300	1.272	500	615	148	160	573	75,7	12002244	5.629,48
A-DRY TAC 105	G3/4	105	83	1.700	1.672	500	615	148	160	573	100	12000124	6.641,75
A-DRY TAC 150	G1	150	118,5	1.440	1.440	440	948	198	240	570	243,6	12000126	8.744,63
A-DRY TAC 200	G1	200	158	1.655	1.655	440	948	198	240	570	260,3	12002444	9.397,70

⁽¹⁾ Refers to 1 bar(a) and 20 °C at 7 bar operating pressure , inlet temperature 20 °C and pressure dew point at outlet -40 °C.

⁽²⁾ Outlet flow refers to operation at nominal inlet flow conditions. Outlet flow is given at maximum purge air loss of 21,6%. Average pure air losses are approximately 17,3 % of inlet flow at nominal conditions.

OPERATING PRESSURE - CORRECTION FACTORS - C_{OP}

Operating pressure [bar]	2	3	4	5	6	7	8	9	10	11	12	13	14	15	16
Operating pressure [psi]	29	44	58	72	87	100	115	130	145	160	174	189	203	218	232
Correction factor	0,38	0,5	0,63	0,75	0,88	1	1,13	1,25	1,38	1,50	1,63	1,75	1,88	2,00	2,13

OPERATING TEMPERATURE - CORRECTION FACTORS - C_{OT}

Inlet temperature [°C]	20	25	30	35	40	45	50
Correction factor	1	0,98	0,97	0,92	0,86	0,75	0,60

DEW POINT - CORRECTION FACTORS - C_D

[°C]	-25	-40	-70
C _D	1,1	1	0,7



A-DRY TAC

SERVICE KITS

Service kit - 12/36/60 months

- filter elements
- silencers
- adsorbent (carbon tower)

Service kit - 24 months

- filter elements
- silencers
- valve set
- adsorbent (carbon tower)
- gaskets

Service kit - 48 months

- filter elements
- silencers
- valve set
- adsorbent
- gaskets

SERVICE KITS 12/36/60 MONTHS			PG/9
SERVICE KIT TYPE	Months	CODE	Gross price EUR
A-DRY TAC 06	12/36/60	12001503	323,76
A-DRY TAC 12	12/36/60	12001504	426,54
A-DRY TAC 24	12/36/60	12001505	629,21
A-DRY TAC 36	12/36/60	12001520	830,46
A-DRY TAC 60	12/36/60	12001521	874,91
A-DRY TAC 75	12/36/60	12001522	1.026,20
A-DRY TAC 105	12/36/60	12001523	1.402,44
A-DRY TAC 150	12/36/60	12001775	1.554,30
A-DRY TAC 200	12/36/60	12001776	1.750,23

SERVICE KITS 24 MONTHS			PG/9
SERVICE KIT TYPE	Months	CODE	Gross price EUR
A-DRY TAC 06	24	12001506	780,92
A-DRY TAC 12	24	12001507	883,69
A-DRY TAC 24	24	12001508	1.086,36
A-DRY TAC 36	24	12001509	1.287,61
A-DRY TAC 60	24	12001510	1.394,75
A-DRY TAC 75	24	12001511	1.546,05
A-DRY TAC 105	24	12001512	1.870,03
A-DRY TAC 150	24	12001777	2.044,12
A-DRY TAC 200	24	12001778	2.240,04

SERVICE KITS 48 MONTHS			PG/9
SERVICE KIT TYPE	Months	CODE	Gross price EUR
A-DRY TAC 06	48	12001513	1.002,96
A-DRY TAC 12	48	12001514	1.197,15
A-DRY TAC 24	48	12001515	1.576,15
A-DRY TAC 36	48	12001516	1.940,68
A-DRY TAC 60	48	12001517	2.285,54
A-DRY TAC 75	48	12001518	2.606,64
A-DRY TAC 105	48	12001519	3.211,43
A-DRY TAC 150	48	12001779	4.225,36
A-DRY TAC 200	48	12001780	4.950,28

OPTIONAL EQUIPMENT		PG/9
EQUIPMENT TYPE	CODE	Gross price EUR
Dew point sensor Easidew	2505872	1.794,47
Dew point sensor with cable connection	4000949	1.866,55
Dew point sensor measurement chamber	2505628	184,02
Controller ADC 2.0*		376,13
Controller ADC 2.4**	3401951	1.356,57
A-DRY TAC 06-36 wall mounting kit	12001549	119,36

REMARK:

* Controller with communication options (Modbus TCP/IP), Profinet TCP/IP, Web service access).

** Controller with 4-20 mA output for dewpoint and communication options (Modbus TCP/IP, Profinet TCP/IP, Web service access).

A-DRY BM

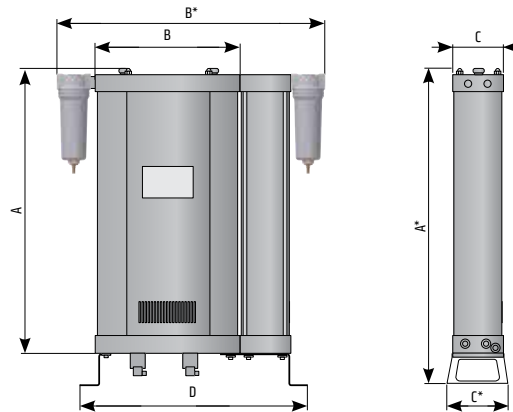
HEATLESS REGENERATION ADSORPTION COMPRESSED AIR DRYERS

operating pressure

4-16 bar


INCLUDED

- pre-filter with automatic drain AOK 16B and manometer PDI 16 (are not mounted),
- after-filter with manual drain MCD and manometer PDI 16 (are not mounted),
- controller includes standard connection for dew point sensor (sensor is not included).



TECHNICAL DATA & PRICES

PG/9

Model	Connection IN / OUT "	Nominal volume flow		Dimensions							Mass kg	CODE	Gross price EUR
		Inlet ¹⁾ m ³ /h	Outlet ²⁾ m ³ /h	A mm	A* mm	B mm	B* mm	C mm	C* mm	D mm			
A-DRY-BM 06	G3/8	6	4,7	520	492	370	470	100	130	444	15	12000635	3.847,63
A-DRY-BM 12	G3/8	12	9,5	715	687	370	470	100	130	444	19,3	12000636	4.210,89
A-DRY-BM 24	G3/8	24	19	1.105	1.077	370	470	100	130	444	27,1	12000637	4.883,53
A-DRY-BM 36	G3/8	36	28,4	1.495	1.467	370	470	100	130	444	39,3	12000638	5.253,51
A-DRY-BM 60	G3/4	60	47,4	1.105	1.077	500	615	148	160	573	64,3	12000639	6.955,33
A-DRY-BM 75	G3/4	75	59,3	1.300	1.272	500	615	148	160	573	75,7	12000640	7.661,62
A-DRY-BM 105	G3/4	117	83	1.700	1.672	500	615	148	160	573	100	12000641	9.255,84
A-DRY-BM 150	G1	150	118,5	1.440	1.440	440	948	148	240	570	243,6	12000642	11.964,27
A-DRY-BM 200	G1	200	158	1.655	1.655	440	948	148	240	570	260,3	12000643	13.035,30

¹⁾ Refers to 1bar(a) and 20°C at 7 bar operating pressure, inlet temperature 35°C and pressure dew point at outlet -40°C.

²⁾ Outlet flow refers to typical assumption during regeneration phase for operating at nominal inlet flow conditions. Outlet flow includes average air losses of approximately 17,3 %.

* If dryer is supplied without inlet filter compressed air class 1 (ISO 8753-1) for solid particles and oil should be provided to the inlet of the dryer.

OPERATING PRESSURE - CORRECTION FACTORS - C_{OP}

Operating pressure [bar]	4	5	6	7	8	9	10	11	12	13	14	15	16
Operating pressure [psi]	58	72	87	100	115	130	145	160	174	189	203	218	232
Correction factor	0,63	0,75	0,88	1	1,13	1,25	1,38	1,50	1,63	1,75	1,88	2,00	2,13

OPERATING TEMPERATURE - CORRECTION FACTORS - C_{OT}

Inlet temperature [°C]	25	30	35	40	45	50
Correction factor	1,00	1,00	1,00	0,97	0,87	0,80

DEW POINT - CORRECTION FACTORS - C_D

[°C]	-25	-40	-70
C _D	1,1	1	0,7



A-DRY BM SERVICE KITS

Service kit - 12/36/60 months

- filter elements
- silencers
- adsorbent (breathing air tower)

Service kit - 24 months

- filter elements
- silencers
- valve set
- adsorbent (breathing air tower)
- gaskets

Service kit - 48 months

- filter elements
- silencers
- valve set
- adsorbent
- gaskets

SERVICE KITS 12/36/60 MONTHS			PG/9
SERVICE KIT TYPE	Months	CODE	Gross price EUR
A-DRY BM 06	12/36/60	12001496	431,03
A-DRY BM 12	12/36/60	12001497	673,98
A-DRY BM 24	12/36/60	12001498	888,18
A-DRY BM 36	12/36/60	12001499	1.188,60
A-DRY BM 60	12/36/60	12001500	1.965,76
A-DRY BM 75	12/36/60	12001501	2.364,12
A-DRY BM 105	12/36/60	12001502	3.193,52
A-DRY BM 150	12/36/60	12001781	5.812,33
A-DRY BM 200	12/36/60	12001782	6.465,41

SERVICE KITS 24 MONTHS			PG/9
SERVICE KIT TYPE	Months	CODE	Gross price EUR
A-DRY BM 06	24	12000644	888,18
A-DRY BM 12	24	12000645	1.131,12
A-DRY BM 24	24	12000646	1.345,32
A-DRY BM 36	24	12000647	1.645,74
A-DRY BM 60	24	12000648	2.498,66
A-DRY BM 75	24	12000649	2.883,97
A-DRY BM 105	24	12000650	3.713,37
A-DRY BM 150	24	12000651	6.302,15
A-DRY BM 200	24	12000652	6.955,22

SERVICE KITS 48 MONTHS			PG/9
SERVICE KIT TYPE	Months	CODE	Gross price EUR
A-DRY BM 06	48	12000653	1.110,22
A-DRY BM 12	48	12000654	1.444,59
A-DRY BM 24	48	12000655	1.835,14
A-DRY BM 36	48	12000656	2.298,82
A-DRY BM 60	48	12000657	3.389,44
A-DRY BM 75	48	12000658	3.944,55
A-DRY BM 105	48	12000659	5.054,77
A-DRY BM 150	48	12000660	8.483,40
A-DRY BM 200	48	12000661	9.665,45

OPTIONAL EQUIPMENT		PG/9
EQUIPMENT TYPE	CODE	Gross price EUR
Dew point sensor Easidew	2505872	1.794,47
Dew point sensor with cable connection	4000949	1.866,55
Dew point sensor measurement chamber	2505628	184,02
Controller ADC 2.0*		376,13
Controller ADC 2.4**	3401951	1.356,57
A-DRY BM 06-36 wall mounting kit	12001549	119,36
BM sensing panel (includes O ₂ , CO, CO ₂ monitoring)	2001178	16.818,88

REMARK:

* Controller with communication options (Modbus TCP/IP, Profinet TCP/IP, Web service access).

** Controller with 4-20 mA output for dewpoint and communication options (Modbus TCP/IP, Profinet TCP/IP, Web service access).



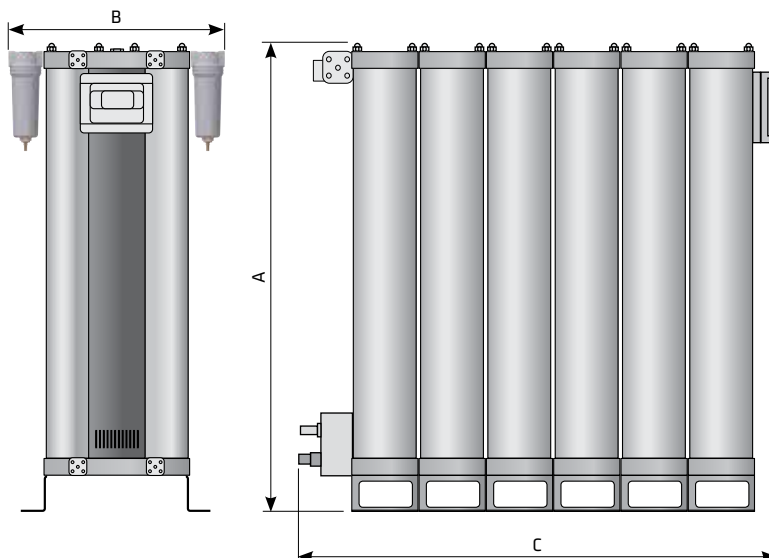
BM sensing panel (includes O₂, CO, CO₂ monitoring)

X-DRY

HEATLESS REGENERATION MODULAR ADSORPTION COMPRESSED AIR DRYERS

operating pressure

4-16 bar



INCLUDED

- pre-filter with automatic drain AOK 16B and manometer MDM 40,
- after-filter with manual drain MCD and manometer MDM 40.
- controller includes standard connection for dew point sensor (sensor is not included).

TECHNICAL DATA & PRICES								PG/9	
Model	Connection IN/OUT ²	Nominal volume flow		Dimensions			Mass kg	CODE	Gross Price EUR
		Inlet ¹ m ³ /h	Outlet m ³ /h	A mm	B mm	C mm			
X-DRY 300	G 1	300	237	1.520	749	686	350	12000304	16.558,96
X-DRY 450	G 1 ½	450	355,5	1.520	749	886	520	12000305	21.755,28
X-DRY 600	G 1 ½	600	474	1.520	749	1.086	690	12002478	26.951,60
X-DRY 750	G 2	750	592,5	1.520	749	1.286	860	12002479	32.147,93
X-DRY 900	G 2	900	711	1.520	749	1.486	1.030	12002480	37.344,26
X-DRY 1050	G 2	1.050	829,5	1.520	749	1.686	1.200	12000303	42.540,58

⁽¹⁾ Refers to 1 bar(a) and 20 °C at 7 bar operating pressure, inlet temperature 35 °C and pressure dew point at outlet -40 °C

⁽²⁾ Refers to inlet and outlet filter housing.

OPERATING PRESSURE - CORRECTION FACTORS - C _{OP}													
Operating pressure [bar]	4	5	6	7	8	9	10	11	12	13	14	15	16
Operating pressure [psi]	58	72	87	100	115	130	145	160	174	189	203	218	232
Correction factor	0,63	0,75	0,88	1	1,13	1,25	1,38	1,50	1,63	1,75	1,88	2,00	2,13

OPERATING TEMPERATURE - CORRECTION FACTORS - C _{OT}							
Inlet temperature [°C]	25	30	35	40	45	50	60
Correction factor	1,00	1,00	1,00	0,97	0,87	0,80	0,51

DEW POINT - CORRECTION FACTORS - C			
[°C]	-25	-40	-70
C _D	1,1	1	0,7

X-DRY

SERVICE KITS

Service kit - 12/36/60 months

- filter elements
- silencers

Service kit - 24 months

- filter elements
- silencer
- valve set
- gaskets

Service kit - 48 months

- filter elements
- silencer
- valve set
- adsorbent
- gaskets

SERVICE KITS 12/36/60 MONTHS			PG/9
SERVICE KIT TYPE	Months	CODE	Gross price EUR
X-DRY 300	12/36/60	12001468	548,58
X-DRY 450	12/36/60	12001469	581,25
X-DRY 600	12/36/60	12001470	646,55
X-DRY 750	12/36/60	12001471	646,55
X-DRY 900	12/36/60	12001472	705,31
X-DRY 1050	12/36/60	12001473	757,57

SERVICE KITS 24 MONTHS			PG/9
SERVICE KIT TYPE	Months	CODE	Gross price EUR
X-DRY 300	24	12000412	2.873,51
X-DRY 450	24	12000413	2.899,62
X-DRY 600	24	12000414	2.964,94
X-DRY 750	24	12000415	2.964,94
X-DRY 900	24	12000416	3.069,42
X-DRY 1050	24	12000417	3.147,81

SERVICE KITS 48 MONTHS			PG/9
SERVICE KIT TYPE	Months	CODE	Gross price EUR
X-DRY 300	48	12000418	4.280,90
X-DRY 450	48	12000419	5.118,33
X-DRY 600	48	12000420	5.918,88
X-DRY 750	48	12000421	6.724,58
X-DRY 900	48	12000422	7.580,62
X-DRY 1050	48	12000423	8.468,05

OPTIONAL EQUIPMENT		PG/9
EQUIPMENT TYPE	CODE	Gross price EUR
Dew point sensor Easidew	2505872	1.794,47
Dew point sensor with cable connection	4000949	1.866,55
Dew point sensor measurement chamber	2505628	184,02
Controller ADC 2.4 (an upgrade from ADC 2.0)*		920,07

NOTE:

Standard communication protocol is Modbus TCP/IP. On request Profinet TCP/IP or can be implemented.

* Controller with 4-20 mA output for dew point and communication options (Modbus TCP/IP), Profinet TCP/IP, Web service access)

B-DRY

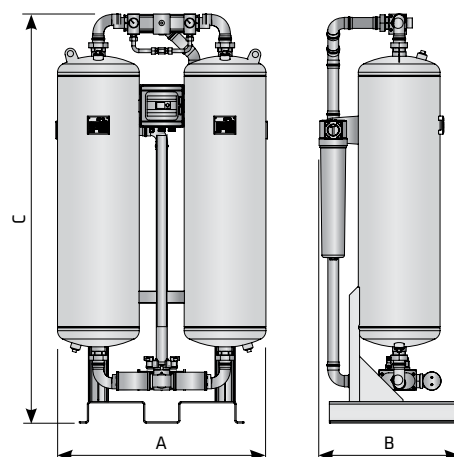
HEATLESS REGENERATION ADSORPTION COMPRESSED AIR DRYERS

operating pressure

4-16 bar

INCLUDED

- pre-filter with automatic drain AOK 16B and manometer MDM 40,
- after-filter with manual drain MCD and manometer MDM 40.
- controller includes standard connection for dew point sensor (sensor is not included).


TECHNICAL DATA & PRICES

Model	Connection IN/OUT	Nominal volume flow		Dimensions			Mass kg	PG/9	
		Inlet ¹ m ³ /h	Outlet ² m ³ /h	A mm	B mm	C mm		CODE	Gross Price EUR
B-DRY 110	G1	110	86,0	719±5	422	1.647	140	12000130	7.205,57
B-DRY 150	G1	150	117,5	707±5	422	1.897	156	12002463	7.690,56
B-DRY 200	G1	200	157,0	707±5	471	1.664	196	12000134	8.140,91
B-DRY 250	G1	260	204,0	707±5	471	1.914	236	12000136	10.531,22
B-DRY 300	G1 1/2	320	251,0	860±5	535	1.742	274	12000138	11.577,42
B-DRY 400	G1 1/2	410	321,5	854±5	535	1.989	295	12000140	12.679,05
B-DRY 600	G1 1/2	590	462,5	854±5	671	2.051	392	12000142	15.450,42
B-DRY 800	G2	770	603,5	1.051±10	701	2.080	507	12000144	17.667,50
B-DRY 1000	G2	1.000	784,0	1.051±10	701	2.140	597	12000128	20.577,46
B-DRY 1200	G2	1.152	903,2	1.207±10	701	2.185	TBA	12002443	25.090,34

¹⁾ Refers to 1 bar(a) and 20 °C at 7 bar operating pressure, inlet temperature 35 °C and pressure dew point at outlet -40 °C.

²⁾ Outlet flow refers to typical assumption during regeneration phase for operating at nominal inlet flow conditions. Outlet flow includes average air losses of approximately 17,3 %.

* If dryer is supplied without inlet filter compressed air class 1 (ISO 8753-1) for solid particles and oil should be provided to the inlet of the dryer.

OPERATING PRESSURE - CORRECTION FACTORS - C_{OP}

Operating pressure [bar]	4	5	6	7	8	9	10	11	12	13	14	15	16
Operating pressure [psi]	58	72	87	100	115	130	145	160	174	189	203	218	232
Correction factor C _{OP}	0,63	0,75	0,88	1	1,13	1,25	1,38	1,50	1,63	1,75	1,88	2,00	2,13

OPERATING TEMPERATURE - CORRECTION FACTORS - C_{OT}

Operat. temperature [°C]	25	30	35	40	45	50	55	60
Operat. temperature [°F]	77	86	95	104	113	122	131	140
Correction factor C _{OT}	1	1	1	0,97	0,87	0,80	0,64	0,51

DEW POINT - CORRECTION FACTORS - C_D

Operat. temperature [°C]	-25	-40	-70
Operat. temperature [°F]	-13	-40	-94
Correction factor C _D	1,1	1	0,7



B-DRY SERVICE KITS

Service kit - 12/36/60 months

- filter elements
- silencers

Service kit - 24 months

- filter elements
- silencer
- valve set
- gaskets

Service kit - 48 months

- filter elements
- silencer
- valve set
- adsorbent
- gaskets

SERVICE KITS 12/36/60 MONTHS			PG/9
SERVICE KIT TYPE	Months	CODE	Gross price EUR
B-DRY 110-150	12/36/60	12001400	320,01
B-DRY 200-250	12/36/60	12001401	346,13
B-DRY 300-400	12/36/60	12001402	509,39
B-DRY 600	12/36/60	12001403	548,58
B-DRY 800-1000	12/36/60	12001404	685,73
B-DRY 1200	12/36/60	12001418	744,49

SERVICE KITS 24 MONTHS			PG/9
SERVICE KIT TYPE	Months	CODE	Gross price EUR
B-DRY 110-150	24	12000400	1.900,44
B-DRY 200-250	24	12001419	1.946,14
B-DRY 300-400	24	12000401	2.697,19
B-DRY 600	24	12001420	2.742,90
B-DRY 800-1000	24	12000402	2.919,24
B-DRY 1200	24	12001421	2.932,29

SERVICE KITS 48 MONTHS			PG/9
SERVICE KIT TYPE	Months	CODE	Gross price EUR
B-DRY 110	48	12000403	2.566,57
B-DRY 150	48	12000404	2.736,38
B-DRY 200	48	12000405	3.049,85
B-DRY 250	48	12000406	3.311,08
B-DRY 300	48	12000407	4.401,70
B-DRY 400	48	12000408	4.787,01
B-DRY 600	48	12000409	5.805,80
B-DRY 800	48	12000410	6.693,99
B-DRY 1000	48	12000411	7.725,84
B-DRY 1200	48	12000928	8.646,65

OPTIONAL EQUIPMENT		PG/9
EQUIPMENT TYPE	CODE	Gross price EUR
Dew point sensor Easidew	2505872	1.794,47
Dew point sensor with cable connection	4000949	1.866,55
Dew point sensor measurement chamber	2505628	184,02
Controller ADC 2.4 (an upgrade from ADC 2.0)*		920,07

NOTE:

Standard communication protocol is Modbus TCP/IP. On request Profinet TCP/IP or can be implemented.

* Controller with 4-20 mA output for dew point and communication options (Modbus TCP/IP), Profinet TCP/IP, Web service access)

B-DRY TAC

HEATLESS REGENERATION ADSORPTION COMPRESSED AIR DRYERS WITH ACTIVATED CARBON TOWER

operating pressure

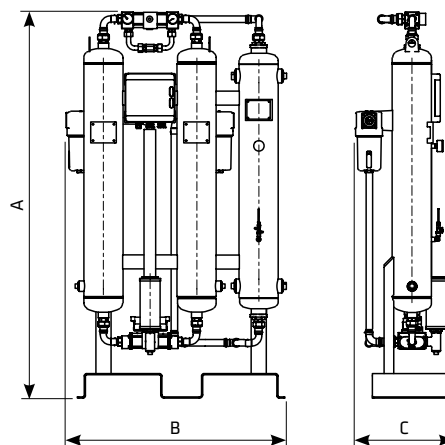
4-16 bar



INCLUDED

- pre-filter with automatic drain AOK 16B and manometer MDM 40,
- after-filter with manual drain MCD and manometer MDM 40.
- controller includes standard connection for dew point sensor (sensor is not included).

TECHNICAL DATA & PRICES									PG/9
Model	Connection IN/OUT	Nominal volume flow		Dimensions			Mass	CODE	Gross Price
		Inlet ¹⁾ m ³ /h	Outlet ²⁾ m ³ /h	A mm	B mm	C mm			
B-DRY TAC 110	G1	110	86,0	1.647	945	422	190	12000131	11.441,81
B-DRY TAC 150	G1	150	117,5	1.897	945	422	215	12000133	12.121,00
B-DRY TAC 200	G1	200	157,0	1.664	1.045	471	275	12000135	12.793,66
B-DRY TAC 250	G1	260	204,0	1.914	1.045	471	325	12000137	15.379,83
B-DRY TAC 300	G1 1/2	320	251,0	1.742	1.230	535	380	12000139	16.940,66
B-DRY TAC 400	G1 1/2	410	321,5	1.989	1.230	535	415	12000141	18.560,29
B-DRY TAC 600	G1 1/2	590	462,5	2.051	1.370	671	562	12000143	22.099,92
B-DRY TAC 800	G2	770	603,5	2.080	1.520	701	718	12000145	25.430,59
B-DRY TAC 1000	G2	1.000	784,0	2.140	1.615	701	851	12000129	29.427,39
B-DRY TAC 1200	G2	1.152	903,2	2.185	1.805	701	1.020	12000132	38.060,98



¹⁾ Refers to 1 bar(a) and 20 °C at 7 bar operating pressure, inlet temperature 35 °C and pressure dew point at outlet -40 °C

²⁾ Outlet flow refers to typical assumption during regeneration phase for operating at nominal inlet flow conditions. Outlet flow includes average air losses of approximately 17,3 %.

* If dryer is supplied without inlet filter compressed air class 1 (ISO 8753-1) for solid particles and oil should be provided to the inlet of the dryer.

OPERATING PRESSURE - CORRECTION FACTORS - C _{OP}													
Operating pressure [bar]	4	5	6	7	8	9	10	11	12	13	14	15	16
Operating pressure [psi]	58	72	87	100	115	130	145	160	174	189	203	218	232
Correction factor C _{OP}	0,63	0,75	0,88	1	1,13	1,25	1,38	1,50	1,63	1,75	1,88	2,00	2,13

OPERATING TEMPERATURE - CORRECTION FACTORS - C _{OT}								
Operat. temperature [°C]	25	30	35	40	45	50	55	60
Operat. temperature [°F]	77	86	95	104	113	122	131	140
Correction factor C _{OT}	1	1	1	0,97	0,87	0,80	0,64	0,51

DEW POINT - CORRECTION FACTORS - C _D			
Operat. temperature [°C]	-25	-40	-70
Operat. temperature [°F]	-13	-40	-94
Correction factor C _D	1,1	1	0,7



B-DRY TAC SERVICE KITS

Service kit - 12/36/60 months

- filter elements
- silencers

Service kit - 24 months

- filter elements
- silencer
- non-return valve
- gaskets

Service kit - 48 months

- filter elements
- silencer
- valve set
- adsorbent
- gaskets

SERVICE KITS 12/36/60 MONTHS			PG/9
SERVICE KIT TYPE	Months	CODE	Gross price EUR
B-DRY TAC 110	12/36/60	12001830	562,16
B-DRY TAC 150	12/36/60	12001831	622,70
B-DRY TAC 200	12/36/60	12001832	655,55
B-DRY TAC 250	12/36/60	12001833	783,36
B-DRY TAC 300	12/36/60	12001834	960,09
B-DRY TAC 400	12/36/60	12001835	1.094,61
B-DRY TAC 600	12/36/60	12001836	1.402,86
B-DRY TAC 800	12/36/60	12001837	1.809,07
B-DRY TAC 1000	12/36/60	12001838	2.078,14
B-DRY TAC 1200	12/36/60	12001839	2.399,25

SERVICE KITS 24 MONTHS			PG/9
SERVICE KIT TYPE	Months	CODE	Gross price EUR
B-DRY TAC 110	24	12001840	2.142,61
B-DRY TAC 150	24	12001841	2.203,14
B-DRY TAC 200	24	12001842	2.255,58
B-DRY TAC 250	24	12001843	2.383,38
B-DRY TAC 300	24	12001844	3.147,87
B-DRY TAC 400	24	12001845	3.282,41
B-DRY TAC 600	24	12001846	3.597,18
B-DRY TAC 800	24	12001847	4.042,58
B-DRY TAC 1000	24	12001848	4.311,64
B-DRY TAC 1200	24	12001849	4.587,06

SERVICE KITS 48 MONTHS			PG/9
SERVICE KIT TYPE	Months	CODE	Gross price EUR
B-DRY TAC 110	48	12001850	2.808,73
B-DRY TAC 150	48	12001851	3.039,07
B-DRY TAC 200	48	12001852	3.359,27
B-DRY TAC 250	48	12001853	3.748,31
B-DRY TAC 300	48	12001854	4.852,39
B-DRY TAC 400	48	12001855	5.372,23
B-DRY TAC 600	48	12001856	6.660,10
B-DRY TAC 800	48	12001857	7.817,33
B-DRY TAC 1000	48	12001858	9.118,25
B-DRY TAC 1200	48	12001859	10.301,41

OPTIONAL EQUIPMENT		PG/9
EQUIPMENT TYPE	CODE	Gross price EUR
Dew point sensor Easidew	2505872	1.794,47
Dew point sensor with cable connection	4000949	1.866,55
Dew point sensor measurement chamber	2505628	184,02
Controller ADC 2.4 (an upgrade from ADC 2.0)*		920,07

NOTE:

Standard communication protocol is Modbus TCP/IP. On request Profinet TCP/IP or can be implemented.

* Controller with 4-20 mA output for dew point and communication options (Modbus TCP/IP), Profinet TCP/IP, Web service access)

B-DRY BM

HEATLESS REGENERATION ADSORPTION COMPRESSED AIR DRYERS

operating pressure

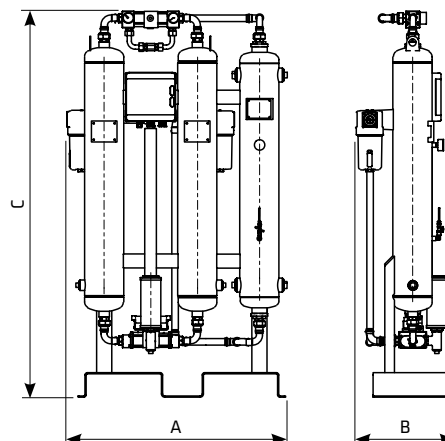
4-16 bar



INCLUDED

- pre-filter with automatic drain ADK 16B and manometer MDM 40,
- after-filter with manual drain MCD and manometer MDM 40.
- controller includes standard connection for dew point sensor (sensor is not included).

TECHNICAL DATA & PRICES									PG/9
Model	Connection IN/OUT	Nominal volume flow		Dimensions			Mass kg	CODE	Gross Price EUR
		Inlet ¹ m ³ /h	Outlet ² m ³ /h	A mm	B mm	C mm			
B-DRY BM 110	G1	110	86	1.647	945	422	190	12001820	12.369,17
B-DRY BM 150	G1	150	117,5	1.897	945	422	215	12001821	13.276,94
B-DRY BM 200	G1	200	157,0	1.664	1.045	471	275	12001822	14.472,06
B-DRY BM 250	G1	260	204,0	1.914	1.045	471	325	12001823	17.515,38
B-DRY BM 300	G1 1/2	320	251,0	1.742	1.230	535	380	12001824	19.481,11
B-DRY BM 400	G1 1/2	410	321,5	1.989	1.230	535	415	12001825	21.799,50
B-DRY BM 600	G1 1/2	590	462,5	2.051	1.370	671	562	12001826	26.971,84
B-DRY BM 800	G2	770	603,5	2.080	1.520	701	718	12001827	31.464,97
B-DRY BM 1000	G2	1.000	784,0	2.140	1.615	701	851	12001828	37.303,43
B-DRY BM 1200	G2	1.152	903,2	2.185	1.805	701	1.020	12001829	49.346,07



⁽¹⁾ Refers to 1 bar(a) and 20 °C at 7 bar operating pressure, inlet temperature 35 °C and pressure dew point at outlet -40 °C

⁽²⁾ Outlet flow refers to typical assumption during regeneration phase for operating at nominal inlet flow conditions. Outlet flow includes average air losses of approximately 17,3 %.

* If dryer is supplied without inlet filter compressed air class 1 (ISO 8753-1) for solid particles and oil should be provided to the inlet of the dryer.

OPERATING PRESSURE - CORRECTION FACTORS - C _{OP}													
Operating pressure [bar]	4	5	6	7	8	9	10	11	12	13	14	15	16
Operating pressure [psi]	58	72	87	100	115	130	145	160	174	189	203	218	232
Correction factor C _{OP}	0,63	0,75	0,88	1	1,13	1,25	1,38	1,50	1,63	1,75	1,88	2,00	2,13

OPERATING TEMPERATURE - CORRECTION FACTORS - C _{OT}									DEW POINT - CORRECTION FACTORS - C _D			
Operat. temperature [°C]	25	30	35	40	45	50	55	60	Operat. temperature [°C]	-25	-40	-70
Operat. temperature [°F]	77	86	95	104	113	122	131	140	Operat. temperature [°F]	-13	-40	-94
Correction factor C _{OT}	1	1	1	0,97	0,87	0,80	0,64	0,51	Correction factor C _D	1,1	1	0,7



B-DRY BM SERVICE KITS

Service kit - 12/36/60 months

- filter elements
- silencers
- adsorbent (breathing air tower)

Service kit - 24 months

- filter elements
- silencer
- valve set
- adsorbent (breathing air tower)
- gaskets

Service kit - 48 months

- filter elements
- silencer
- valve set
- adsorbent
- gaskets

SERVICE KITS 12/36/60 MONTHS			PG/9
SERVICE KIT TYPE	Months	CODE	Gross price EUR
B-DRY BM 110	12/36/60	12001860	1.489,00
B-DRY BM 150	12/36/60	12001861	1.782,89
B-DRY BM 200	12/36/60	12001862	2.324,93
B-DRY BM 250	12/36/60	12001863	2.912,70
B-DRY BM 300	12/36/60	12001864	3.507,00
B-DRY BM 400	12/36/60	12001865	4.336,39
B-DRY BM 600	12/36/60	12001866	6.262,95
B-DRY BM 800	12/36/60	12001867	7.830,33
B-DRY BM 1000	12/36/60	12001868	9.952,81
B-DRY BM 1200	12/36/60	12001869	12.362,64

SERVICE KITS 24 MONTHS			PG/9
SERVICE KIT TYPE	Months	CODE	Gross price EUR
B-DRY BM 110	24	12001870	3.069,42
B-DRY BM 150	24	12001871	3.369,85
B-DRY BM 200	24	12001872	3.911,90
B-DRY BM 250	24	12001873	4.519,26
B-DRY BM 300	24	12001874	5.694,79
B-DRY BM 400	24	12001875	6.524,19
B-DRY BM 600	24	12001876	8.463,80
B-DRY BM 800	24	12001877	10.070,36
B-DRY BM 1000	24	12001878	12.192,85
B-DRY BM 1200	24	12001879	14.550,42

SERVICE KITS 48 MONTHS			PG/9
SERVICE KIT TYPE	Months	CODE	Gross price EUR
B-DRY BM 110	48	12001880	3.735,58
B-DRY BM 150	48	12001881	4.199,25
B-DRY BM 200	48	12001882	5.028,65
B-DRY BM 250	48	12001883	5.877,64
B-DRY BM 300	48	12001884	7.399,30
B-DRY BM 400	48	12001885	8.614,02
B-DRY BM 600	48	12001886	11.526,70
B-DRY BM 800	48	12001887	13.838,58
B-DRY BM 1000	48	12001888	17.005,98
B-DRY BM 1200	48	12001889	20.264,81

OPTIONAL EQUIPMENT		PG/9
EQUIPMENT TYPE	CODE	Gross price EUR
Dew point sensor Easidew	2505872	1.794,47
Dew point sensor with cable connection	4000949	1.866,55
Dew point sensor measurement chamber	2505628	184,02
Controller ADC 2.4 (an upgrade from ADC 2.0)*		920,07
BM sensing panel (includes O ₂ , CO, CO ₂ monitoring)	2001178	16.818,88

NOTE:

Standard communication protocol is Modbus TCP/IP. On request Profinet TCP/IP or can be implemented.

* Controller with 4-20 mA output for dew point and communication options (Modbus TCP/IP), Profinet TCP/IP, Web service access)



BM sensing panel (includes O₂, CO, CO₂ monitoring).

F-DRY

HEATLESS REGENERATION ADSORPTION COMPRESSED AIR DRYERS

operating pressure

4-16 bar


INCLUDED

- pre-filter* with automatic drain AOK 20B and manometer MDM 40 (F-DRY 1200-2500), MDA 60 (F-DRY 3000-6500),
- after-filter* with manual drain MCD and manometer MDM 40 (F-DRY 1200-2500), MDA 60 (F-DRY 3000-6500).
- controller includes standard connection for dew point sensor (sensor is not included).

*Filters are not mounted.

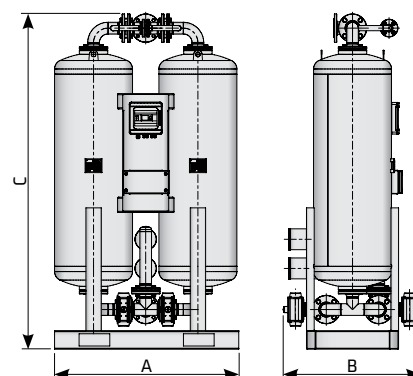
TECHNICAL DATA & PRICES

Model	Connection IN/OUT DN	Nominal volume flow		Dimensions			Mass kg	CODE	PG/9	
		Inlet ¹⁾ m ³ /h	Outlet ²⁾ m ³ /h	A mm	B mm	C mm			Gross price EUR	
		F-DRY 1200	DN50	1.200	936	1.210				770
F-DRY 1500	DN65	1.500	1.170	1.550	860	2.225	980	12000170	32.702,20	
F-DRY 2000	DN65	2.000	1.560	1.690	860	2.400	1.550	12000171	40.115,63	
F-DRY 2500	DN80	2.500	1.950	1.700	960	2.400	1.680	12000172	46.143,36	
F-DRY 3000	DN80	3.000	2.340	1.875	950	2.400	1.850	12000173	51.478,25	
F-DRY 3750	DN100	3.750	2.925	2.030	1.010	2.510	2.300	12000174	59.307,37	
F-DRY 5000	DN100	5.000	3.900	2.240	1.160	2.650	2.850	12000175	70.600,72	
F-DRY 6500	DN125	6.500	5.070	2.420	1.250	2.730	3.750	12000176	87.921,81	

¹⁾ Refers to 1 bar(a) and 20 °C at 7 bar operating pressure, inlet temperature 35 °C and pressure dew point at outlet -40 °C

²⁾ Outlet flow refers to typical assumption during regeneration phase for operating at nominal inlet flow conditions. Outlet flow includes average air losses of approximately 17,3 %.

* If dryer is supplied without inlet filter compressed air class 1 (ISO 8753-1) for solid particles and oil should be provided to the inlet of the dryer.



OPERATING PRESSURE - CORRECTION FACTORS - COP

Operating pressure [bar]	4	5	6	7	8	9	10	11	12	13	14	15	16
Operating pressure [psi]	58	72	87	100	115	130	145	160	174	189	203	218	232
Correction factor C_{op}	0,63	0,75	0,88	1	1,13	1,25	1,38	1,50	1,63	1,75	1,88	2,00	2,13

OPERATING TEMPERATURE - CORRECTION FACTORS - COT

Operat. temperature [°C]	25	30	35	40	45	50	55	60
Operat. temperature [°F]	77	86	95	104	113	122	131	140
Correction factor C_{ot}	1	1	1	0,97	0,87	0,80	0,64	0,51

DEW POINT - CORRECTION FACTORS - CD

Operat. temperature [°C]	-25	-40	-70
Operat. temperature [°F]	-13	-40	-94
Correction factor C_d	1,1	1	0,7



F-DRY

SERVICE KITS

Service kit - 12/36/60 months

- filter elements
- silencers

Service kit - 24 months

- filter elements
- silencer
- non-return valve
- gaskets

Service kit - 48 months

- filter elements
- silencer
- non-return valve
- adsorbent
- gaskets

SERVICE KITS 12/36/60 MONTHS			PG/9
SERVICE KIT TYPE	Months	CODE	Gross price EUR
F-DRY 1200	12/36/60	12001343	744,49
F-DRY 1500	12/36/60	12001344	777,16
F-DRY 2000	12/36/60	12001345	829,41
F-DRY 2500	12/36/60	12001346	1.090,64
F-DRY 3000	12/36/60	12001347	1.711,05
F-DRY 3750	12/36/60	12001348	2.148,61
F-DRY 5000	12/36/60	12001349	2.788,62
F-DRY 6500	12/36/60	12001350	3.389,44

SERVICE KITS 24 MONTHS			PG/9
SERVICE KIT TYPE	Months	CODE	Gross price EUR
F-DRY 1200	24	12000424	1.684,91
F-DRY 1500	24	12000425	2.057,18
F-DRY 2000	24	12000426	2.422,90
F-DRY 2500	24	12000427	2.775,56
F-DRY 3000	24	12000428	3.389,44
F-DRY 3750	24	12000429	4.231,91
F-DRY 5000	24	12000430	5.041,71
F-DRY 6500	24	12000431	5.825,40

SERVICE KITS 48 MONTHS			PG/9
SERVICE KIT TYPE	Months	CODE	Gross price EUR
F-DRY 1200	48	12000432	7.458,08
F-DRY 1500	48	12000433	8.182,99
F-DRY 2000	48	12000434	10.808,34
F-DRY 2500	48	12000435	13.322,65
F-DRY 3000	48	12000436	15.072,88
F-DRY 3750	48	12000437	19.500,71
F-DRY 5000	48	12000438	22.831,38
F-DRY 6500	48	12000439	35.082,99

SERVICE VALVE KITS		PG/9
TYPE	CODE	Gross price EUR
Service kit valve + actuator F-DRY 1200	12001442	1.541,25
Service kit valve + actuator F-DRY 1500-2000	12001443	1.573,92
Service kit valve + actuator F-DRY 2500-3000	12001444	1.606,55
Service kit valve + actuator F-DRY 3750-5000	12001445	1.972,28
Service kit valve + actuator F-DRY 6500	12001446	2.560,04

START-UP DEVICES			PG/9
TYPE	CODE	FOR DEVICE	Gross price EUR
DN50	12000484	F-DRY 1200	565,05
DN65	12000485	F-DRY 1500-2000	1.204,07
DN80	12000486	F-DRY 2500-3000	1.278,06
DN100	12000487	F-DRY 3750-5000	1.439,51
DN125	12000488	F-DRY 6500	1.863,27

OPTIONAL EQUIPMENT		PG/9
EQUIPMENT TYPE	CODE	Gross price EUR
Dew point sensor Easidew	2505872	1.794,47
Dew point sensor with cable connection	4000949	1.866,55
Dew point sensor measurement chamber	2505628	184,02
Controller ADC 2.4 (an upgrade from ADC 2.0)*		920,07
Testing in presence of the customer	1058	672,67 (net price)
Coming on site, excluding transport costs	1059	1.076,26/day (net price)

NOTE:

Standard communication protocol is Modbus TCP/IP. On request Profinet TCP/IP or can be implemented.

* Controller with 4-20 mA output for dew point and communication options (Modbus TCP/IP), Profinet TCP/IP, Web service access)

COM-DRY

REFRIGERANT + ADSORPTION COMPRESSED AIR DRYERS

operating pressure

4-11 bar



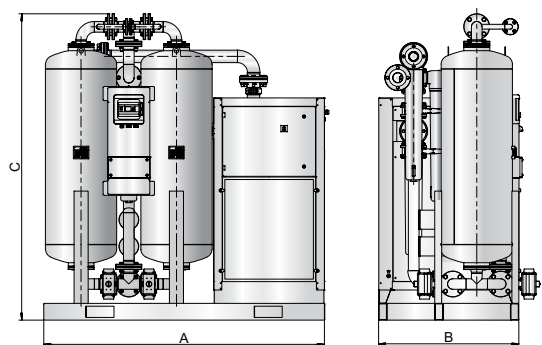
INCLUDED

- pre-filter* with automatic drain AOK 16B and manometer PDI 16 (COM-DRY 06-75), MDM 40 (COM-DRY 110-3000), MDA 60 (COM-DRY 3750-6500),
- after-filter* with manual drain MCD and manometer PDI 16 (COM-DRY 06-75), MDM 40 (COM-DRY 110-3000), MDA 60 (COM-DRY 3750-6500),
- controller includes standard connection for dew point sensor (sensor is not included).

*Filters are not mounted on COM DRY models 1200-6500.

TECHNICAL DATA & PRICES								PG/9
Model	Connection IN/OUT inch	Nominal volume flow Inlet ⁽¹⁾ m³/h	Adsorption dryer	Refrigeration dryer	Power kW	Volume l	CODE	Gross Price
								EUR
COM-DRY 06	G 3/8	6	A-DRY 06	RDP 20	0,15	2,6	12000146	5.681,31
COM-DRY 12	G 3/8	12	A-DRY 12	RDP 20	0,15	4,3	12000149	6.221,72
COM-DRY 24	G 3/8	24	A-DRY 24	RDP 35	0,16	7,8	12000155	6.776,01
COM-DRY 36	G 3/8	36	A-DRY 36	RDP 35	0,16	11,2	12000160	7.247,15
COM-DRY 60	G 1/2	60	A-DRY 60	RDP 75	0,21	19,9	12000164	7.801,41
COM-DRY 75	G 1/2	75	A-DRY 75	RDP 75	0,29	24,3	12000167	8.189,42
COM-DRY 110	G 1	110	B-DRY 110	RDP 140	0,39	20	12000148	13.039,30
COM-DRY 150	G 1	150	B-DRY 150	RDP 180	0,48	25	12000151	14.251,79
COM-DRY 200	G 1	200	B-DRY 200	RDP 235	0,71	36	12000153	14.854,57
COM-DRY 250	G 1	260	B-DRY 250	RDP 300	0,79	45	12000156	17.681,36
COM-DRY 300	G 1 ½	320	B-DRY 300	RDP 380	0,82	57	12000158	20.265,66
COM-DRY 400	G 1 ½	410	B-DRY 400	RDP 480	0,71	70	12000162	22.157,12
COM-DRY 600	G 1 ½	590	B-DRY 600	RDP 600	1,4	102	12000165	27.568,24
COM-DRY 800	G 2	770	B-DRY 800	RDP 750	1,5	134	12000168	31.809,21
COM-DRY 1000	G 2	1.000	B-DRY 1000	RDP 1150	2,1	164	12000147	38.460,49
COM-DRY 1200	DN50	1.200	F-DRY 1200	RDP 1300	2,3	225	12000150	48.734,58
COM-DRY 1500	DN65	1.500	F-DRY 1500	RDP 1900	3,6	280	12000152	58.663,02
COM-DRY 2000	DN65	2.000	F-DRY 2000	RDP 2600	3,9	295	12000154	68.917,11
COM-DRY 2500	DN80	2.500	F-DRY 2500	RDP 2600	5,2	470	12000157	87.921,81
COM-DRY 3000	DN80	3.000	F-DRY 3000	RDP 3400	5,9	570	12000159	95.598,51
COM-DRY 3750	DN100	3.750	F-DRY 3750	RDP 4400	7,1	660	12000161	110.619,34
COM-DRY 5000	DN100	5.000	F-DRY 5000	RDP 5400	10,8	980	12000163	131.189,52
COM-DRY 6500	DN125	6.500	F-DRY 6500	RDP 6600	11,3	1.200	12000166	158.252,12

⁽¹⁾ Refers to 1 bar(a) and 20 °C at 7 bar operating pressure , inlet temperature 35 °C and pressure dew point at outlet -40 °C.
Typically inlet temperature to adsorption dryer is 10 °C lower than inlet temperature to refrigeration dryer. In case inlet temperature to refrigeration dryer is lower than 35 °C demand for purge air increases.



CORRECTION FACTORS (ADSORPTION DRYERS)								
Operating pressure [bar]	4	5	6	7	8	9	10	11
Correction factor	0,63	0,75	0,88	1	1,13	1,25	1,38	1,50

CORRECTION FACTORS (ADSORPTION DRYERS)								
Inlet temperature [°C]	25	30	35	40	45	50	55	
Correction factor	1,00	1,00	1,00	0,97	0,87	0,80	0,64	

DEW POINT (ADSORPTION DRYERS)				
Temperature [°C]	-25	-40	-70	
Correction factor C ₀	1,1	1	0,7	

CORRECTION FACTOR FOR OPERATING PRESSURE CHANGES (REFRIGERATION DRYERS)									
Operating pressure [bar]	4	5	6	7	8	10	12	14	16
Correction factor	0,77	0,86	0,93	1,00	1,05	1,14	1,21	1,27	1,32

CORRECTION FACTOR FOR DEW POINT CHANGES (REFRIGERATION DRYERS)				
Temperature [°C]	3	5	7	10
Correction factor	1	1,1	1,21	1,39

CORRECTION FACTOR FOR INLET AIR TEMPERATURE CHANGES (REFRIGERATION DRYERS)							
Temperature [°C]	≤25	30	35	40	45	50	55
Correction factor	1,2	1,12	1	0,83	0,69	0,59	0,5

CORRECTION FACTOR FOR AMBIENT TEMPERATURE CHANGES (REFRIGERATION DRYERS)					
Temperature [°C]	≤25	30	35	40	45
Correction factor	1	0,96	0,9	0,82	0,72

COM-DRY

SERVICE KITS

Service kit - 12/36/60 months

- filter elements
- silencers

Service kit - 24 months

- filter elements
- silencers
- valve set (non-return valves from COM-DRY 1200-6500)
- gaskets

Service kit - 48 months

- filter elements
- silencers
- valve set (non-return valves from COM-DRY 1200-6500)
- adsorbent
- gaskets

SERVICE KITS 12/36/60 MONTHS			PG/9
SERVICE KIT TYPE	Months	CODE	Gross price EUR
COM-DRY 06-36	12/36/60	12001341	202,47
COM-DRY 60-75	12/36/60	12001342	215,52
COM-DRY 110-150	12/36/60	12001400	320,01
COM-DRY 200-250	12/36/60	12001401	346,13
COM-DRY 300-400	12/36/60	12001402	509,39
COM-DRY 600	12/36/60	12001403	548,58
COM-DRY 800-1000	12/36/60	12001404	685,73
COM-DRY 1200	12/36/60	12001343	744,49
COM-DRY 1500	12/36/60	12001344	777,16
COM-DRY 2000	12/36/60	12001345	829,41
COM-DRY 2500	12/36/60	12001346	1.090,64
COM-DRY 3000	12/36/60	12001347	1.711,05
COM-DRY 3750	12/36/60	12001348	2.148,61
COM-DRY 5000	12/36/60	12001349	2.788,62
COM-DRY 6500	12/36/60	12001350	3.389,44

SERVICE KITS 24 MONTHS			PG/9
SERVICE KIT TYPE	Months	CODE	Gross price EUR
COM-DRY 06	24	12001196	659,61
COM-DRY 12	24	12001197	659,61
COM-DRY 24	24	12001198	659,61
COM-DRY 36	24	12001199	659,61
COM-DRY 60	24	12001200	735,37
COM-DRY 75	24	12001201	735,37
COM-DRY 110-150	24	12000400	1.900,44
COM-DRY 200-250	24	12001419	1.946,14
COM-DRY 300-400	24	12000401	2.697,19
COM-DRY 600	24	12001420	2.742,90
COM-DRY 800-1000	24	12000402	2.919,24
COM-DRY 1200	24	12000424	1.684,91
COM-DRY 1500	24	12000425	2.057,18
COM-DRY 2000	24	12000426	2.422,90
COM-DRY 2500	24	12000427	2.775,56
COM-DRY 3000	24	12000428	3.389,44
COM-DRY 3750	24	12000429	4.467,01
COM-DRY 5000	24	12000430	5.041,71
COM-DRY 6500	24	12000431	5.825,40

SERVICE KITS 48 MONTHS			PG/9
SERVICE KIT TYPE	Months	CODE	Gross price EUR
COM-DRY 06	48	12002667	881,66
COM-DRY 12	48	12002668	973,09
COM-DRY 24	48	12002669	1.149,41
COM-DRY 36	48	12002670	1.312,69
COM-DRY 60	48	12002671	1.626,15
COM-DRY 75	48	12002672	1.795,96
COM-DRY 110	48	12001880	3.735,58
COM-DRY 150	48	12001881	4.199,25
COM-DRY 200	48	12001882	5.028,65
COM-DRY 250	48	12001883	5.877,64
COM-DRY 300	48	12001884	7.399,30
COM-DRY 400	48	12001885	8.614,02
COM-DRY 600	48	12001886	11.526,70
COM-DRY 800	48	12001887	13.838,58
COM-DRY 1000	48	12001888	17.005,98
COM-DRY 1200	48	12001889	20.264,81
COM-DRY 1500	48	12000433	8.182,99
COM-DRY 2000	48	12000434	10.808,34
COM-DRY 2500	48	12000435	13.322,65
COM-DRY 3000	48	12000436	15.072,88
COM-DRY 3750	48	12000437	19.500,71
COM-DRY 5000	48	12000438	22.831,38
COM-DRY 6500	48	12000439	35.082,99

SERVICE VALVE KITS		PG/9
TYPE	CODE	Gross price EUR
Service kit valve + actuator COM-DRY 1200	12001442	1.541,25
Service kit valve + actuator COM-DRY 1500-2000	12001443	1.573,92
Service kit valve + actuator COM-DRY 2500-3000	12001444	1.606,55
Service kit valve + actuator COM-DRY 3750-5000	12001445	1.972,28
Service kit valve + actuator COM-DRY 6500	12001446	2.560,04

START-UP DEVICES			PG/9
TYPE	CODE	FOR DEVICE	Gross price EUR
DN50	12000484	COM-DRY 1200	834,11
DN65	12000485	COM-DRY 1500-2000	1.204,07
DN80	12000486	COM-DRY 2500-3000	1.278,06
DN100	12000487	COM-DRY 3750-5000	1.439,51
DN125	12000488	COM-DRY 6500	1.863,27

OPTIONAL EQUIPMENT		PG/9
EQUIPMENT TYPE	CODE	Gross price EUR
Dew point sensor Easidew	2505872	1.794,47
Dew point sensor with cable connection	4000949	1.866,55
Dew point sensor measurement chamber	2505628	184,02
Controller ADC 2.0* [for COM-DRY 06-75]		376,13
Controller ADC 2.4** [for COM-DRY 06-75]	3401951	1.356,57
Controller ADC 2.4** (an upgrade from ADC 2.0) [for COM-DRY 110-6500]		920,07
Testing in presence of the customer	1058	672,67 (net price)
Coming on site, excluding transport costs	1059	1.076,26/day (net price)

NOTE:

*Standard communication protocol is Modbus TCP/IP. On request Profinet TCP/IP or can be implemented.

** Controller with 4-20 mA output for dewpoint and communication options (Modbus TCP/IP, Profinet TCP/IP, Web service access).

R-DRY BVA

HEAT REGENERATION ADSORPTION DRYERS - COOLING WITH AMBIENT AIR

operating pressure

4-11 bar

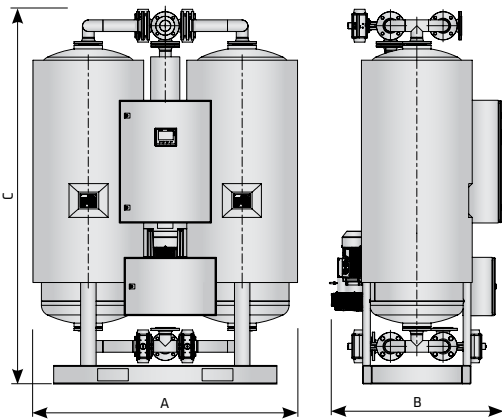
INCLUDED

- pre-filter* with automatic drain AOK 16B and manometer MDM 40 (R-DRY BVA 400-2500), with AOK20B and MDA 60 (R-DRY BVA 3000-20000),
- after-filter* with manual drain MCD and manometer MDM 40 (R-DRY BVA 400-2500), MDA 60 (R-DRY BVA 3000-20000),
- Siemens Simatic S7 controller.

*Filters are not mounted.

TECHNICAL DATA & PRICES

Model	Connection IN/OUT ² DN	Nominal volume flow ¹ m ³ /h	Dimensions			Mass kg	CODE	PG/10
			A mm	B mm	C mm			Gross price With insulation EUR
R-DRY BVA 400	DN50	390	1.400	800	2.270	1.000	12000271	59.598,35
R-DRY BVA 600	DN50	590	1.500	810	2.320	1.400	12000280	64.379,00
R-DRY BVA 780	DN50	780	1.750	950	2.550	1.800	12000288	68.944,82
R-DRY BVA 1000	DN50	930	1.750	950	2.550	1.900	12000234	75.852,46
R-DRY BVA 1200	DN80	1.150	1.900	1.000	2.550	2.200	12000502	83.189,68
R-DRY BVA 1600	DN80	1.600	2.150	1.100	2.620	2.600	12000248	92.300,57
R-DRY BVA 2000	DN100	1.950	2.200	1.200	2.750	3.400	12000257	103.122,77
R-DRY BVA 2500	DN100	2.530	2.430	1.200	2.750	3.800	12000263	114.166,70
R-DRY BVA 3000	DN100	2.990	2.600	1.200	2.880	4.000	12002243	120.589,36
R-DRY BVA 3600	DN100	3.680	2.800	1.350	2.850	4.800	12000268	138.083,65
R-DRY BVA 4100	DN125	4.100	3.000	1.350	2.850	5.100	12000274	159.942,86
R-DRY BVA 5000	DN125	4.990	3.200	1.450	2.950	5.900	12000277	181.039,93
R-DRY BVA 6500	DN150	6.550	3.520	1.750	3.050	7.200	12000283	203.183,20
R-DRY BVA 7700	DN150	7.700	4.500	1.900	2.600	7.900	12000286	210.485,77
R-DRY BVA 10000	DN200	10.250	4.300	2.200	3.550	12.000	12000237	266.619,93
R-DRY BVA 12000	DN200	11.700	4.400	2.500	3.550	14.200	12000242	322.996,56
R-DRY BVA 14000	DN200	14.800	4.800	2.600	3.650	16.800	12000245	371.350,09
R-DRY BVA 16000	DN250	16.000	5.000	3.200	3.650	18.500	12000251	440.648,27
R-DRY BVA 18000	DN250	18.200	5.200	3.500	4.200	20.000	12000254	470.094,11
R-DRY BVA 20000	DN250	20.200	6.000	3.500	4.350	23.000	12000260	519.389,89



⁽¹⁾ Refers to 1bar(a) and 20°C at 7 bar operating pressure , inlet temperature 35°C and pressure dew point at outlet -40°C.

⁽²⁾ Refers to dryer inlet and outlet connection without filters.

* If dryer is supplied without inlet filter compressed air class 1 (ISO 8753-1) for solid particles and oil should be provided to the inlet of the dryer.

Remark:

- Standard dew point is -40 °C.
- Dew point -70 °C on request.

OPERATING PRESSURE - CORRECTION FACTORS - C_{OP}

Operating pressure [bar]	4	5	6	7	8	9	10	11
Operating pressure [psi]	58	72	87	100	115	130	145	160
Correction factor C _{op}	0,63	0,75	0,88	1	1,13	1,25	1,38	1,50

OPERATING TEMPERATURE - CORRECTION FACTORS - C_{OT}

Operat. temperature [°C]	25	30	35	40	42,5
Operat. temperature [°F]	77	86	95	104	108
Correction factor C _{ot}	1	1	1	0,7	0,52



R-DRY BVA SERVICE KITS

Service kit - 12/36/60 months

- filter elements
- silencers

Service kit - 24 months

- filter elements
- silencers
- non-return valves
- gaskets

Service kit - 48 months

- filter elements
- silencers
- non-return valves
- adsorbent
- gaskets

SERVICE KITS 12/36/60 MONTHS			PG/10
SERVICE KIT TYPE	Months	CODE	Gross price EUR
R-DRY 400	12/36/60	12001353	417,97
R-DRY 600	12/36/60	12001354	470,22
R-DRY 780	12/36/60	12001355	470,22
R-DRY 1000	12/36/60	12001356	587,77
R-DRY 1200	12/36/60	12001357	666,14
R-DRY 1600	12/36/60	12001358	666,14
R-DRY 2000	12/36/60	12001359	777,16
R-DRY 2500	12/36/60	12001360	868,59
R-DRY 3000	12/36/60	12001361	1.423,69
R-DRY 3600	12/36/60	12001362	2.024,52
R-DRY 4100	12/36/60	12001363	2.024,52
R-DRY 5000	12/36/60	12001364	2.638,40
R-DRY 6500	12/36/60	12001365	3.827,00
R-DRY 7700	12/36/60	12001366	3.827,00
R-DRY 10000	12/36/60	12001367	4.911,10
R-DRY 12000	12/36/60	12001368	4.911,10
R-DRY 14000	12/36/60	12001369	6.243,36
R-DRY 16000	12/36/60	12001370	7.438,49
R-DRY 18000	12/36/60	12001371	7.438,49
R-DRY 20000	12/36/60	12001372	9.854,84

SERVICE KITS 24 MONTHS			PG/10
SERVICE KIT TYPE	Months	CODE	Gross price EUR
R-DRY 400	24	12000443	1.110,22
R-DRY 600	24	12000444	1.162,46
R-DRY 780	24	12000445	1.162,46
R-DRY 1000	24	12000446	1.469,42
R-DRY 1200	24	12000447	1.560,84
R-DRY 1600	24	12000448	1.560,84
R-DRY 2000	24	12000449	1.763,29
R-DRY 2500	24	12000450	1.867,78
R-DRY 3000	24	12000451	2.540,45
R-DRY 3600	24	12000452	3.258,83
R-DRY 4100	24	12000453	3.422,10
R-DRY 5000	24	12000454	4.153,54
R-DRY 6500	24	12000455	5.805,80
R-DRY 7700	24	12000456	5.805,80
R-DRY 10000	24	12000457	7.719,31
R-DRY 12000	24	12000458	7.719,31
R-DRY 14000	24	12000459	9.319,34
R-DRY 16000	24	12000460	11.592,02
R-DRY 18000	24	12000461	11.592,02
R-DRY 20000	24	12000462	14.498,18

SERVICE KITS 48 MONTHS			PG/10
SERVICE KIT TYPE	Months	CODE	Gross price EUR
R-DRY 400	48	12001636	4.414,77
R-DRY 600	48	12001637	5.707,84
R-DRY 780	48	12001638	6.759,29
R-DRY 1000	48	12001639	8.196,05
R-DRY 1200	48	12001640	9.946,28
R-DRY 1600	48	12001641	12.676,11
R-DRY 2000	48	12001642	15.040,23
R-DRY 2500	48	12001643	17.728,27
R-DRY 3000	48	12001644	20.630,52
R-DRY 3600	48	12001645	23.987,30
R-DRY 4100	48	12001646	27.076,33
R-DRY 5000	48	12001647	32.647,04
R-DRY 6500	48	12001648	42.756,57
R-DRY 7700	48	12001649	49.391,77
R-DRY 10000	48	12001650	63.641,79
R-DRY 12000	48	12001651	73.241,94
R-DRY 14000	48	12001652	92.370,38
R-DRY 16000	48	12001653	104.060,36
R-DRY 18000	48	12001654	113.804,17
R-DRY 20000	48	12001655	131.437,10

SERVICE VALVE KITS		PG/10
TYPE	CODE	Gross price EUR
Service kit valve + actuator R-DRY 400-1000 BVA/BP	12001447	1.541,25
Service kit valve + actuator R-DRY 1200-1600 BVA/BP	12001448	1.606,55
Service kit valve + actuator R-DRY 2000-3600 BVA/BP	12001449	1.972,28
Service kit valve + actuator R-DRY 4100-5000 BVA/BP	12001450	2.560,04
Service kit valve + actuator R-DRY 6500-7700 BVA/BP	12001451	3.252,29
Service kit valve + actuator R-DRY 10000-14000 BVA/BP	12001452	4.427,82
Service kit valve + actuator R-DRY 16000-20000 BVA/BP	12001453	5.792,75

START-UP DEVICES			PG/10
TYPE	CODE	FOR DEVICE	Gross price EUR
DN50	12000484	R-DRY 400-780	834,11
DN80	12000486	R-DRY 1000-1600	1.278,06
DN100	12000487	R-DRY 2000-3600	1.439,51
DN125	12000488	R-DRY 4100-5000	1.863,27
DN150	12000489	R-DRY 6500-7700	1.997,94
DN200	12000490	R-DRY 10000-14000	2.731,02
DN250	12000491	R-DRY 16000-20000	4.130,14

OPTIONAL EQUIPMENT		PG/9
EQUIPMENT TYPE	CODE	Gross price EUR
Dew point sensor Easidew	2505872	1.794,47
Dew point sensor with cable connection	4000949	1.866,55
Dew point sensor measurement chamber	2505628	184,02
Modbus RTU	5010546	524,95
Profibus	5010522	1.174,90
Valve position switches R-DRY BVA	2506527	4.291,59
Testing in presence of the customer	1058	672,67 (net price)
Coming on site, excluding transport costs	1059	1.076,26/day (net price)

NOTE:

Standard communication protocol is Modbus TCP/IP. On request Profinet TCP/IP can be implemented.

R-DRY BP

HEAT REGENERATION ADSORPTION DRYERS - COOLING WITH PURGE AIR

operating pressure

4-11 bar

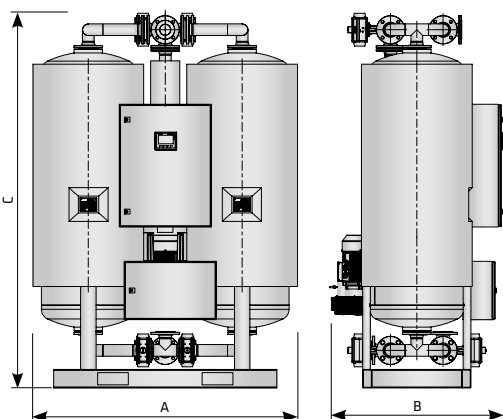

INCLUDED

- pre-filter* with automatic drain AOK 16B and manometer MDM 40 (R-DRY BP 400-2500), with AOK 20B and MDA 60 (R-DRY BP 3000-20000),
- after-filter* with manual drain MCD and manometer MDM 40 (R-DRY BP 400-2500), MDA 60 (R-DRY BP 3000-20000),
- Siemens Simatic S7 controller.

*Filters are not mounted.

TECHNICAL DATA & PRICES

Model	Connection IN/OUT DN	Nominal volume flow ¹⁾ m ³ /h	Dimensions			Mass kg	CODE	PG/10
			A	B	C			Gross price With insulation EUR
			mm	mm	mm			
R-DRY 400 BP	DN50	390	1.400	900	2.300	1.000	12000270	59.598,35
R-DRY 600 BP	DN50	590	1.500	850	2.350	1.400	12000279	64.379,00
R-DRY 780 BP	DN50	780	1.700	900	2.350	1.800	12000301	68.944,82
R-DRY 1000 BP	DN50	930	1.750	900	2.400	1.900	12000233	75.852,46
R-DRY 1200 BP	DN80	1.150	1.900	1.050	2.550	2.200	12000239	83.189,68
R-DRY 1600 BP	DN80	1.600	2.000	1.100	2.700	2.600	12000247	92.300,57
R-DRY 2000 BP	DN100	1.950	2.200	1.200	2.750	3.400	12000256	103.122,77
R-DRY 2500 BP	DN100	2.530	2.400	1.250	2.650	3.800	12000262	114.166,70
R-DRY 3000 BP	DN100	2.990	2.600	1.200	2.900	4.000	12000265	120.589,36
R-DRY 3600 BP	DN100	3.680	2.800	1.200	2.900	4.800	12000267	138.083,65
R-DRY 4100 BP	DN125	4.100	3.000	1.350	2.850	5.100	12000273	159.942,86
R-DRY 5000 BP	DN125	4.990	3.200	1.450	2.950	5.900	12000276	181.039,93
R-DRY 6500 BP	DN150	6.550	3.520	1.750	3.050	7.200	12000282	203.183,20
R-DRY 7700 BP	DN150	7.700	3.700	2.000	3.100	7.900	12000285	210.485,77
R-DRY 10000 BP	DN200	10.250	4.800	2.200	2.670	12.000	12000236	266.619,93
R-DRY 12000 BP	DN200	11.700	4.400	2.500	3.550	14.200	12000241	322.996,56
R-DRY 14000 BP	DN200	14.800	4.800	2.600	3.650	16.800	12000244	371.350,09
R-DRY 16000 BP	DN250	16.000	5.000	3.200	3.650	18.500	12000250	440.648,27
R-DRY 18000 BP	DN250	18.200	5.200	3.500	4.200	20.000	12000253	470.094,11
R-DRY 20000 BP	DN250	20.200	6.000	3.500	4.350	23.000	12000259	519.389,89



⁽¹⁾ Refers to 1 bar(a) and 20 °C at 7 bar operating pressure, inlet temperature 35 °C and pressure dew point at outlet -40 °C.

* If dryer is supplied without inlet filter compressed air class 1 (ISO 8753-1) for solid particles and oil should be provided to the inlet of the dryer.

Remark:

- Standard dew point is -40 °C.
- Dew point -70 °C on request.

OPERATING PRESSURE - CORRECTION FACTORS - C_{OP}

Operating pressure [bar]	4	5	6	7	8	9	10	11
Operating pressure [psi]	58	72	87	100	115	130	145	160
Correction factor C _{OP}	0,63	0,75	0,88	1	1,13	1,25	1,38	1,50

OPERATING TEMPERATURE - CORRECTION FACTORS - C_{OT}

Operat. temperature [°C]	25	30	35	40	42,5
Operat. temperature [°F]	77	86	95	104	108
Correction factor C _{OT}	1	1	1	0,7	0,52



R-DRY BP

SERVICE KITS

Service kit - 12/36/60 months

- filter elements
- silencers

Service kit - 24 months

- filter elements
- silencers
- non-return valves
- gaskets

Service kit - 48 months

- filter elements
- silencers
- non-return valves
- adsorbent
- gaskets

SERVICE KITS 12/36/60 MONTHS			PG/10
SERVICE KIT TYPE	Months	CODE	Gross price EUR
R-DRY 400	12/36/60	12001353	417,97
R-DRY 600	12/36/60	12001354	470,22
R-DRY 780	12/36/60	12001355	470,22
R-DRY 1000	12/36/60	12001356	587,77
R-DRY 1200	12/36/60	12001357	666,14
R-DRY 1600	12/36/60	12001358	666,14
R-DRY 2000	12/36/60	12001359	777,16
R-DRY 2500	12/36/60	12001360	868,59
R-DRY 3000	12/36/60	12001361	1.423,69
R-DRY 3600	12/36/60	12001362	2.024,52
R-DRY 4100	12/36/60	12001363	2.024,52
R-DRY 5000	12/36/60	12001364	2.638,40
R-DRY 6500	12/36/60	12001365	3.827,00
R-DRY 7700	12/36/60	12001366	3.827,00
R-DRY 10000	12/36/60	12001367	4.911,10
R-DRY 12000	12/36/60	12001368	4.911,10
R-DRY 14000	12/36/60	12001369	6.243,36
R-DRY 16000	12/36/60	12001370	7.438,49
R-DRY 18000	12/36/60	12001371	7.438,49
R-DRY 20000	12/36/60	12001372	9.854,84

SERVICE KITS 24 MONTHS			PG/10
SERVICE KIT TYPE	Months	CODE	Gross price EUR
R-DRY 400	24	12000443	1.110,22
R-DRY 600	24	12000444	1.162,46
R-DRY 780	24	12000445	1.162,46
R-DRY 1000	24	12000446	1.469,42
R-DRY 1200	24	12000447	1.560,84
R-DRY 1600	24	12000448	1.560,84
R-DRY 2000	24	12000449	1.763,29
R-DRY 2500	24	12000450	1.867,78
R-DRY 3000	24	12000451	2.540,45
R-DRY 3600	24	12000452	3.258,83
R-DRY 4100	24	12000453	3.422,10
R-DRY 5000	24	12000454	4.153,54
R-DRY 6500	24	12000455	5.805,80
R-DRY 7700	24	12000456	5.805,80
R-DRY 10000	24	12000457	7.719,31
R-DRY 12000	24	12000458	7.719,31
R-DRY 14000	24	12000459	9.319,34
R-DRY 16000	24	12000460	11.592,02
R-DRY 18000	24	12000461	11.592,02
R-DRY 20000	24	12000462	14.498,18

SERVICE KITS 48 MONTHS			PG/10
SERVICE KIT TYPE	Months	CODE	Gross price EUR
R-DRY 400	48	12000463	4.414,77
R-DRY 600	48	12000464	5.707,84
R-DRY 780	48	12000465	6.759,29
R-DRY 1000	48	12000466	8.196,05
R-DRY 1200	48	12000467	9.946,28
R-DRY 1600	48	12000468	12.676,11
R-DRY 2000	48	12000469	15.040,23
R-DRY 2500	48	12000470	17.728,27
R-DRY 3000	48	12000471	20.630,52
R-DRY 3600	48	12000472	23.987,30
R-DRY 4100	48	12000473	27.076,33
R-DRY 5000	48	12000474	32.647,04
R-DRY 6500	48	12000475	42.756,57
R-DRY 7700	48	12000476	49.391,77
R-DRY 10000	48	12000477	63.641,79
R-DRY 12000	48	12000478	73.241,94
R-DRY 14000	48	12000479	92.370,38
R-DRY 16000	48	12000480	104.060,36
R-DRY 18000	48	12000481	113.804,17
R-DRY 20000	48	12000482	131.437,10

VALVES		PG/10
KIT TYPE	CODE	Gross price EUR
Service kit valve + actuator R-DRY BVA/BP 400-1000	12001447	1.541,25
Service kit valve + actuator R-DRY BVA/BP 1200-1600	12001448	1.606,55
Service kit valve + actuator R-DRY BVA/BP 2000-3600	12001449	1.972,28
Service kit valve + actuator R-DRY BVA/BP 4100-5000	12001450	2.560,04
Service kit valve + actuator R-DRY BVA/BP 6500-7700	12001451	3.252,29
Service kit valve + actuator R-DRY BVA/BP 10000-14000	12001452	4.427,82
Service kit valve + actuator R-DRY BVA/BP 16000-20000	12001453	5.792,75

START-UP DEVICES			PG/10
TYPE	CODE	FOR DEVICE	Gross price EUR
DN50	12000484	R-DRY 400-780	834,11
DN80	12000486	R-DRY 1000-1600	1.278,06
DN100	12000487	R-DRY 2000-3600	1.439,51
DN125	12000488	R-DRY 4100-5000	1.863,27
DN150	12000489	R-DRY 6500-7700	1.997,94
DN200	12000490	R-DRY 10000-14000	2.731,02
DN250	12000491	R-DRY 16000-20000	4.130,14

OPTIONAL EQUIPMENT		PG/9
EQUIPMENT TYPE	CODE	Gross price EUR
Dew point sensor Easidew	2505872	1.794,47
Dew point sensor with cable connection	4000949	1.866,55
Dew point sensor measurement chamber	2505628	184,02
Modbus RTU	5010546	524,95
Profibus	5010522	1.174,90
Valve position switches R-DRY BVA	2506527	4.291,59
Testing in presence of the customer	1058	672,67 (net price)
Coming on site, excluding transport costs	1059	1.076,26/day (net price)

NOTE:

Standard communication protocol is Modbus TCP/IP. On request Profinet TCP/IP can be implemented.

R-DRY BVL

HEAT REGENERATION ADSORPTION DRYERS - COOLING WITH CLOSED LOOP

operating pressure

4-11 bar**INCLUDED**

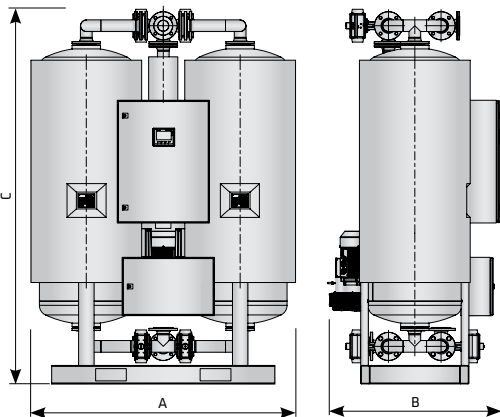
- pre-filter* with automatic drain AOK 16B and manometer MDM 40 (R-DRY BVL 400-2500), with AOK 20B and MDA 60 (R-DRY BVL 3000-20000),
- after-filter* with manual drain MCD and manometer MDM 40 (R-DRY BVL 400-2500), MDA 60 (R-DRY BVL 3000-20000),
- Siemens Simatic 57 controller.

*Filters are not mounted.

TECHNICAL DATA & PRICES

PG/10

Model	Connection IN/OUT DN	Nominal volume flow ¹ m ³ /h	Dimensions			Mass kg	CODE	Gross price With insulation EUR
			A mm	B mm	C mm			
R-DRY BVL 400	DN50	390	1.400	1.200	2.300	1.400	12000272	73.997,67
R-DRY BVL 600	DN50	590	1.500	1.300	2.350	1.900	12000281	76.196,62
R-DRY BVL 780	DN50	780	1.700	1.350	2.350	2.300	12000302	79.880,31
R-DRY BVL 1000	DN50	930	1.750	1.300	2.400	2.400	12000235	91.782,76
R-DRY BVL 1200	DN80	1.150	1.900	1.400	2.500	3.000	12000240	99.233,37
R-DRY BVL 1600	DN80	1.600	2.000	1.500	2.600	3.200	12000249	106.032,98
R-DRY BVL 2000	DN100	1.950	2.250	1.650	2.750	4.420	12000258	125.448,47
R-DRY BVL 2500	DN100	2.530	2.380	1.750	2.700	5.000	12000264	131.875,23
R-DRY BVL 3000	DN100	2.990	2.570	1.800	2.850	5.200	12000266	139.937,18
R-DRY BVL 3600	DN100	3.680	2.800	1.800	2.900	6.240	12000269	160.658,22
R-DRY BVL 4100	DN125	4.100	3.000	2.700	2.850	6.700	12000275	183.812,99
R-DRY BVL 5000	DN125	4.990	3.200	2.900	2.950	7.700	12000278	192.329,25
R-DRY BVL 6500	DN150	6.550	3.520	2.900	3.050	9.400	12000284	224.627,02
R-DRY BVL 7700	DN150	7.700	3.700	3.100	3.100	10.300	12000287	249.130,27
R-DRY BVL 10000	DN200	10.250	5.000	3.250	2.850	15.600	12000238	336.740,36
R-DRY BVL 12000	DN200	11.700	5.050	3.300	2.850	-	12000243	355.506,39
R-DRY BVL 14000	DN200	14.800	4.800	2.600	3.650	-	12000246	423.299,87
R-DRY BVL 16000	DN250	16.000	5.000	3.200	3.650	-	12000252	478.217,86
R-DRY BVL 18000	DN250	18.200	5.200	3.500	4.200	-	12000255	512.860,70
R-DRY BVL 20000	DN250	20.200	6.500	4.100	3.300	-	12000261	555.754,06

¹⁾ Refers to 1 bar(a) and 20 °C at 7 bar operating pressure, inlet temperature 35 °C and pressure dew point at outlet -40 °C.

* If dryer is supplied without inlet filter compressed air class 1 (ISO 8753-1) for solid particles and oil should be provided to the inlet of the dryer.

Remark:

- Standard dew point is -40 °C.
- Dew point -70 °C on request.

OPERATING PRESSURE - CORRECTION FACTORS - C_{OP}

Operating pressure [bar]	4	5	6	7	8	9	10	11
Operating pressure [psi]	58	72	87	100	115	130	145	160
Correction factor C _{op}	0,63	0,75	0,88	1	1,13	1,25	1,38	1,50

OPERATING TEMPERATURE - CORRECTION FACTORS - C_{OT}

Operat. temperature [°C]	25	30	35	40	42,5
Operat. temperature [°F]	77	86	95	104	108
Correction factor C _{ot}	1	1	1	0,7	0,52



R-DRY BVL

SERVICE KITS

Service kit - 12/36/60 months

- filter elements
- silencers

Service kit - 24 months

- filter elements
- silencers
- non-return valves
- gaskets

Service kit - 48 months

- filter elements
- silencers
- non-return valves
- adsorbent
- gaskets

SERVICE KITS 12/36/60 MONTHS			PG/10
SERVICE KIT TYPE	Months	CODE	Gross price EUR
R-DRY BVL 400	12/36/60	12001353	417,97
R-DRY BVL 600	12/36/60	12001354	470,22
R-DRY BVL 780	12/36/60	12001355	470,22
R-DRY BVL 1000	12/36/60	12001356	587,77
R-DRY BVL 1200	12/36/60	12001357	666,14
R-DRY BVL 1600	12/36/60	12001358	666,14
R-DRY BVL 2000	12/36/60	12001359	777,16
R-DRY BVL 2500	12/36/60	12001360	868,59
R-DRY BVL 3000	12/36/60	12001361	1.423,69
R-DRY BVL 3600	12/36/60	12001362	2.024,52
R-DRY BVL 4100	12/36/60	12001363	2.024,52
R-DRY BVL 5000	12/36/60	12001364	2.638,40
R-DRY BVL 6500	12/36/60	12001365	3.827,00
R-DRY BVL 7700	12/36/60	12001366	3.827,00
R-DRY BVL 10000	12/36/60	12001367	4.911,10
R-DRY BVL 12000	12/36/60	12001368	4.911,10
R-DRY BVL 14000	12/36/60	12001369	6.243,36
R-DRY BVL 16000	12/36/60	12001370	7.438,49
R-DRY BVL 18000	12/36/60	12001371	7.438,49
R-DRY BVL 20000	12/36/60	12001372	9.854,84

SERVICE KITS 24 MONTHS			PG/10
SERVICE KIT TYPE	Months	CODE	Gross price EUR
R-DRY BVL 400	24	12000443	1.110,22
R-DRY BVL 600	24	12000444	1.162,46
R-DRY BVL 780	24	12000445	1.162,46
R-DRY BVL 1000	24	12000446	1.469,42
R-DRY BVL 1200	24	12000447	1.560,84
R-DRY BVL 1600	24	12000448	1.560,84
R-DRY BVL 2000	24	12000449	1.763,29
R-DRY BVL 2500	24	12000450	1.867,78
R-DRY BVL 3000	24	12000451	2.540,45
R-DRY BVL 3600	24	12000452	3.258,83
R-DRY BVL 4100	24	12000453	3.422,10
R-DRY BVL 5000	24	12000454	4.153,54
R-DRY BVL 6500	24	12000455	5.805,80
R-DRY BVL 7700	24	12000456	5.805,80
R-DRY BVL 10000	24	12000457	7.719,31
R-DRY BVL 12000	24	12000458	7.719,31
R-DRY BVL 14000	24	12000459	9.319,34
R-DRY BVL 16000	24	12000460	11.592,02
R-DRY BVL 18000	24	12000461	11.592,02
R-DRY BVL 20000	24	12000462	14.498,18

SERVICE KITS 48 MONTHS			PG/10
SERVICE KIT TYPE	Months	CODE	Gross price EUR
R-DRY BVL 400	48	12000463	4.414,77
R-DRY BVL 600	48	12000464	5.707,84
R-DRY BVL 780	48	12000465	6.759,29
R-DRY BVL 1000	48	12000466	8.196,05
R-DRY BVL 1200	48	12000467	9.946,28
R-DRY BVL 1600	48	12000468	12.676,11
R-DRY BVL 2000	48	12000469	15.040,23
R-DRY BVL 2500	48	12000470	17.728,27
R-DRY BVL 3000	48	12000471	20.630,52
R-DRY BVL 3600	48	12000472	23.987,30
R-DRY BVL 4100	48	12000473	27.076,33
R-DRY BVL 5000	48	12000474	32.647,04
R-DRY BVL 6500	48	12000475	42.756,57
R-DRY BVL 7700	48	12000476	49.391,77
R-DRY BVL 10000	48	12000477	63.641,79
R-DRY BVL 12000	48	12000478	73.241,94
R-DRY BVL 14000	48	12000479	92.370,38
R-DRY BVL 16000	48	12000480	104.060,36
R-DRY BVL 18000	48	12000481	113.804,17
R-DRY BVL 20000	48	12000482	131.437,10

SILENCERS		PG/10
SILENCER TYPE	CODE	Gross price EUR
Service kit valve + actuator R-DRY BVL400-1000	12001454	1.541,25
Service kit valve + actuator R-DRY BVL 1200-1600	12001455	1.606,55
Service kit valve + actuator R-DRY BVL 2000-3600	12001456	1.972,28
Service kit valve + actuator R-DRY BVL 4100-5000	12001457	2.560,04
Service kit valve + actuator R-DRY BVL 6500-7700	12001458	3.252,29
Service kit valve + actuator R-DRY BVL 10000-14000	12001459	4.427,82
Service kit valve + actuator R-DRY BVL 16000-20000	12001460	5.792,75

START-UP DEVICES			PG/10
TYPE	CODE	FOR DEVICE	Gross price EUR
DN50	12000484	R-DRY BVL 400-780	834,11
DN80	12000486	R-DRY BVL 1000-1600	1.278,06
DN100	12000487	R-DRY BVL 2000-3600	1.439,51
DN125	12000488	R-DRY BVL 4100-5000	1.863,27
DN150	12000489	R-DRY BVL 6500-7700	1.997,94
DN200	12000490	R-DRY BVL 10000-14000	2.731,02
DN250	12000491	R-DRY BVL 16000-20000	4.130,14

OPTIONAL EQUIPMENT		PG/9
EQUIPMENT TYPE	CODE	Gross price EUR
Dew point sensor Easidew	2505872	1.794,47
Dew point sensor with cable connection	4000949	1.866,55
Dew point sensor measurement chamber	2505628	184,02
Modbus RTU	5010546	524,95
Profibus	5010522	1.174,90
Valve position switches R-DRY BVL	2506527	4.291,59
Testing in presence of the customer	1058	672,67 (net price)
Coming on site, excluding transport costs	1059	1.076,26/day (net price)

NOTE:

Standard communication protocol is Modbus TCP/IP. On request Profinet TCP/IP or can be implemented.

R-DRY HOC F/P

HEAT REGENERATION ADSORPTION DRYERS - HEATED WITH FULL/PARTIAL STREAM

operating pressure

4-11 bar


INCLUDED

- pre-filter* with automatic drain AOK 16B and manometer MDM 40 (R-DRY HOC 400-2500), with AOK 20B and MDA 60 (R-DRY HOC 3000-20000),
- after-filter* with manual drain MCD and manometer MDM 40 (R-DRY HOC 400-2500), MDA 60 (R-DRY BVL 3000-20000),
- Siemens Simatic S7 controller.

*Filters are not mounted.

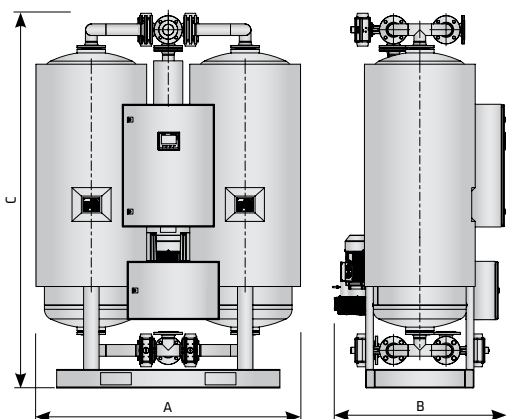
TECHNICAL DATA & PRICES			PG/10
Model	Connection IN/OUT	Nominal volume flow ¹⁾	Gross price With insulation
	DN		EUR
R-DRY HOC F/P 400	DN50	390	on request
R-DRY HOC F/P 600	DN50	590	on request
R-DRY HOC F/P 780	DN50	780	on request
R-DRY HOC F/P 1000	DN50	930	on request
R-DRY HOC F/P 1200	DN80	1.150	on request
R-DRY HOC F/P 1600	DN80	1.600	on request
R-DRY HOC F/P 2000	DN100	1.950	on request
R-DRY HOC F/P 2500	DN100	2.530	on request
R-DRY HOC F/P 3000	DN100	2.990	on request
R-DRY HOC F/P 3600	DN100	3.680	on request
R-DRY HOC F/P 4100	DN125	4.100	on request
R-DRY HOC F/P 5000	DN125	4.990	on request
R-DRY HOC F/P 6500	DN150	6.550	on request
R-DRY HOC F/P 7700	DN150	7.700	on request
R-DRY HOC F/P 10000	DN200	10.250	on request
R-DRY HOC F/P 12000	DN200	11.700	on request
R-DRY HOC F/P 14000	DN200	14.800	on request
R-DRY HOC F/P 16000	DN250	16.000	on request
R-DRY HOC F/P 18000	DN250	18.200	on request
R-DRY HOC F/P 20000	DN250	20.200	on request

¹⁾ Refers to 1 bar(a) and 20 °C at 7 bar operating pressure, inlet temperature 35 °C and pressure dew point at outlet -20 °C.

* If dryer is supplied without inlet filter compressed air class 1 (ISO 8753-1) for solid particles and oil should be provided to the inlet of the dryer.

Remark:

- Standard dew point is -20 °C.
- Dew point -40 °C on request.



OPERATING PRESSURE - CORRECTION FACTORS - C _{OP}								
Operating pressure [bar]	4	5	6	7	8	9	10	11
Operating pressure [psi]	58	72	87	100	115	130	145	160
Correction factor C _{op}	0,63	0,75	0,88	1	1,13	1,25	1,38	1,50

OPERATING TEMPERATURE - CORRECTION FACTORS - C _{OT}					
Operat. temperature [°C]	25	30	35	40	42,5
Operat. temperature [°F]	77	86	95	104	108
Correction factor C _{ot}	1	1	1	0,7	0,52



R-DRY HOC

SERVICE KITS

Service kit - 12/36/60 months

- filter elements
- silencers

Service kit - 24 months

- filter elements
- silencers
- non-return valves
- gaskets

Service kit - 48 months

- filter elements
- silencers
- non-return valves
- adsorbent
- gaskets

SERVICE KITS 12/36/60 MONTHS		PG/10
SERVICE KIT TYPE	Months	Gross price EUR
R-DRY HOC F/P 400	12/36/60	on request
R-DRY HOC F/P 600	12/36/60	on request
R-DRY HOC F/P 780	12/36/60	on request
R-DRY HOC F/P 1000	12/36/60	on request
R-DRY HOC F/P 1200	12/36/60	on request
R-DRY HOC F/P 1600	12/36/60	on request
R-DRY HOC F/P 2000	12/36/60	on request
R-DRY HOC F/P 2500	12/36/60	on request
R-DRY HOC F/P 3000	12/36/60	on request
R-DRY HOC F/P 3600	12/36/60	on request
R-DRY HOC F/P 4100	12/36/60	on request
R-DRY HOC F/P 5000	12/36/60	on request
R-DRY HOC F/P 6500	12/36/60	on request
R-DRY HOC F/P 7700	12/36/60	on request
R-DRY HOC F/P 10000	12/36/60	on request
R-DRY HOC F/P 12000	12/36/60	on request
R-DRY HOC F/P 14000	12/36/60	on request
R-DRY HOC F/P 16000	12/36/60	on request
R-DRY HOC F/P 18000	12/36/60	on request
R-DRY HOC F/P 20000	12/36/60	on request

SERVICE KITS 24 MONTHS		PG/10
SERVICE KIT TYPE	Months	Gross price EUR
R-DRY HOC F/P 400	24	on request
R-DRY HOC F/P 600	24	on request
R-DRY HOC F/P 780	24	on request
R-DRY HOC F/P 1000	24	on request
R-DRY HOC F/P 1200	24	on request
R-DRY HOC F/P 1600	24	on request
R-DRY HOC F/P 2000	24	on request
R-DRY HOC F/P 2500	24	on request
R-DRY HOC F/P 3000	24	on request
R-DRY HOC F/P 3600	24	on request
R-DRY HOC F/P 4100	24	on request
R-DRY HOC F/P 5000	24	on request
R-DRY HOC F/P 6500	24	on request
R-DRY HOC F/P 7700	24	on request
R-DRY HOC F/P 10000	24	on request
R-DRY HOC F/P 12000	24	on request
R-DRY HOC F/P 14000	24	on request
R-DRY HOC F/P 16000	24	on request
R-DRY HOC F/P 18000	24	on request
R-DRY HOC F/P 20000	24	on request

SERVICE KITS 48 MONTHS		PG/10
SERVICE KIT TYPE	Months	Gross price EUR
R-DRY HOC F/P 400	48	on request
R-DRY HOC F/P 600	48	on request
R-DRY HOC F/P 780	48	on request
R-DRY HOC F/P 1000	48	on request
R-DRY HOC F/P 1200	48	on request
R-DRY HOC F/P 1600	48	on request
R-DRY HOC F/P 2000	48	on request
R-DRY HOC F/P 2500	48	on request
R-DRY HOC F/P 3000	48	on request
R-DRY HOC F/P 3600	48	on request
R-DRY HOC F/P 4100	48	on request
R-DRY HOC F/P 5000	48	on request
R-DRY HOC F/P 6500	48	on request
R-DRY HOC F/P 7700	48	on request
R-DRY HOC F/P 10000	48	on request
R-DRY HOC F/P 12000	48	on request
R-DRY HOC F/P 14000	48	on request
R-DRY HOC F/P 16000	48	on request
R-DRY HOC F/P 18000	48	on request
R-DRY HOC F/P 20000	48	on request

START-UP DEVICES		PG/10
TYPE	FOR DEVICE	Gross price EUR
DN50	R-DRY HOC F/P 400-780	on request
DN80	R-DRY HOC F/P 1000-1600	on request
DN100	R-DRY HOC F/P 2000-3600	on request
DN125	R-DRY HOC F/P 4100-5000	on request
DN150	R-DRY HOC F/P 6500-7700	on request
DN200	R-DRY HOC F/P 10000-14000	on request
DN250	R-DRY HOC F/P 16000-20000	on request

OPTIONAL EQUIPMENT		PG/9
EQUIPMENT TYPE	CODE	Gross price EUR
Dew point sensor Easidew	2505872	1.794,47
Dew point sensor with cable connection	4000949	1.866,55
Dew point sensor measurement chamber	2505628	184,02
Modbus RTU	5010546	524,95
Profibus	5010522	1.174,90
Valve position switches R-DRY HOC F/P	2506527	4.291,59
Testing in presence of the customer	1058	672,67 (net price)
Coming on site, excluding transport costs	1059	1.076,26/day (net price)

NOTE:

Standard communication protocol is Modbus TCP/IP. On request Profinet TCP/IP can be implemented.

HPR-DRY BVA

HIGH PRESSURE HEAT REGENERATION ADSORPTION DRYERS - COOLING WITH AMBIENT AIR

operating pressure

50 bar**INCLUDED**

- pre-filter,
- after-filter,
- Siemens controller.

TECHNICAL DATA & PRICES			PG/10
Model	Max. oper. pressure	Connection IN/OUT	Gross price
	bar	DN	EUR
HPR-DRY BVA 400	50	DN50	on request
HPR-DRY BVA 600		DN50	on request
HPR-DRY BVA 780		DN50	on request
HPR-DRY BVA 1000		DN50	on request
HPR-DRY BVA 1200		DN80	on request
HPR-DRY BVA 1600		DN80	on request
HPR-DRY BVA 2000		DN100	on request
HPR-DRY BVA 2500		DN100	on request
HPR-DRY BVA 3000		DN100	on request
HPR-DRY BVA 3600		DN100	on request

⁽¹⁾ Refers to 1 bar(a) and 20 °C at 7 bar operating pressure , inlet temperature 35 °C and pressure dew point at outlet –40 °C

* If dryer is supplied without inlet filter compressed air class 1 (ISO 8753-1) for solid particles and oil should be provided to the inlet of the dryer.

Remark:

- Standard dew point is –40 °C.
- Dew points –25 °C and –55 °C on request.

OPERATING PRESSURE 50 BAR - CORRECTION FACTORS - C_{op} (35 °C; 100 BAR)						
Operating pressure [bar]	25	30	35	40	45	50
Correction factor C_{op}	0,51	0,61	0,71	0,81	0,90	1

OPERATING TEMPERATURE - CORRECTION FACTORS - C_{ot}					
Operat. temperature [°C]	25	30	35	40	42,5
Operat. temperature [°F]	77	86	95	104	108
Correction factor C_{ot}	1	1	1	0,7	0,52



HPR-DRY BVA

SERVICE KITS

Service kit - 12 months

- filter elements
- silencers

Service kit - 24 months

- filter elements
- silencers
- non-return valves
- gaskets

Service kit - 48 months

- elements
- silencers
- non-return valves
- adsorbent
- gaskets

SERVICE KITS 12 MONTHS		PG/10
SERVICE KIT TYPE	Months	Gross price EUR
HPR-DRY BVA 400	12	on request
HPR-DRY BVA 600	12	on request
HPR-DRY BVA 780	12	on request
HPR-DRY BVA 1000	12	on request
HPR-DRY BVA 1200	12	on request
HPR-DRY BVA 1600	12	on request
HPR-DRY BVA 2000	12	on request
HPR-DRY BVA 2500	12	on request
HPR-DRY BVA 3000	12	on request
HPR-DRY BVA 3600	12	on request

SERVICE KITS 24 MONTHS		PG/10
SERVICE KIT TYPE	Months	Gross price EUR
HPR-DRY BVA 400	24	on request
HPR-DRY BVA 600	24	on request
HPR-DRY BVA 780	24	on request
HPR-DRY BVA 1000	24	on request
HPR-DRY BVA 1200	24	on request
HPR-DRY BVA 1600	24	on request
HPR-DRY BVA 2000	24	on request
HPR-DRY BVA 2500	24	on request
HPR-DRY BVA 3000	24	on request
HPR-DRY BVA 3600	24	on request

SERVICE KITS 48 MONTHS		PG/10
SERVICE KIT TYPE	Months	Gross price EUR
HPR-DRY BVA 400	48	on request
HPR-DRY BVA 600	48	on request
HPR-DRY BVA 780	48	on request
HPR-DRY BVA 1000	48	on request
HPR-DRY BVA 1200	48	on request
HPR-DRY BVA 1600	48	on request
HPR-DRY BVA 2000	48	on request
HPR-DRY BVA 2500	48	on request
HPR-DRY BVA 3000	48	on request
HPR-DRY BVA 3600	48	on request

OPTIONAL EQUIPMENT		PG/9
EQUIPMENT TYPE	CODE	Gross price EUR
Dew point sensor Easidew	2505872	1.794,47
Dew point sensor with cable connection	4000949	1.866,55
Dew point sensor measurement chamber	2505628	184,02
Modbus RTU	5010546	524,95
Profibus	5010522	1.174,90
Valve position switches HPR-DRY BVA	2506527	4.291,59
Testing in presence of the customer	1058	672,67 (net price)
Coming on site, excluding transport costs	1059	1.076,26/day (net price)

NOTE:
Standard communication protocol is Modbus TCP/IP. On request Profinet TCP/IP or can be implemented.

HPR-DRY BP

HIGH PRESSURE HEAT REGENERATION ADSORPTION DRYERS - COOLING WITH PURGE AIR

operating pressure

50 bar
**INCLUDED**

- pre-filter,
- after-filter,
- Siemens controller.

TECHNICAL DATA & PRICES			PG/10
Model	Max. oper. pressure	Connection IN/OUT	Gross price
	bar	DN	EUR
HPR-DRY BP 400	50	DN50	on request
HPR-DRY BP 600		DN50	on request
HPR-DRY BP 780		DN50	on request
HPR-DRY BP 1000		DN50	on request
HPR-DRY BP 1200		DN80	on request
HPR-DRY BP 1600		DN80	on request
HPR-DRY BP 2000		DN100	on request
HPR-DRY BP 2500		DN100	on request
HPR-DRY BP 3000		DN100	on request
HPR-DRY BP 3600		DN100	on request

⁽¹⁾ Refers to 1 bar(a) and 20 °C at 7 bar operating pressure , inlet temperature 35 °C and pressure dew point at outlet –40 °C

* If dryer is supplied without inlet filter compressed air class 1 (ISO 8753-1) for solid particles and oil should be provided to the inlet of the dryer.

Remark:

- Standard dew point is –40 °C.
- Dew points –25 °C and –55 °C on request.

OPERATING PRESSURE 50 BAR - CORRECTION FACTORS - C_{op} (35 °C; 100 BAR)						
Operating pressure [bar]	25	30	35	40	45	50
Correction factor C_{op}	0,51	0,61	0,71	0,81	0,90	1

OPERATING TEMPERATURE - CORRECTION FACTORS - C_{OT}					
Operat. temperature [°C]	25	30	35	40	42,5
Operat. temperature [°F]	77	86	95	104	108
Correction factor C_{OT}	1	1	1	0,7	0,52



HPR-DRY BP

SERVICE KITS

Service kit - 12 months

- filter elements
- silencers

Service kit - 24 months

- filter elements
- silencers
- non-return valves
- gaskets

Service kit - 48 months

- filter elements
- silencers
- non-return valves
- adsorbent
- gaskets

SERVICE KITS 12 MONTHS		PG/10
SERVICE KIT TYPE	Months	Gross price EUR
HPR-DRY BP 400	12	on request
HPR-DRY BP 600	12	on request
HPR-DRY BP 780	12	on request
HPR-DRY BP 1000	12	on request
HPR-DRY BP 1200	12	on request
HPR-DRY BP 1600	12	on request
HPR-DRY BP 2000	12	on request
HPR-DRY BP 2500	12	on request
HPR-DRY BP 3000	12	on request
HPR-DRY BP 3600	12	on request

SERVICE KITS 24 MONTHS		PG/10
SERVICE KIT TYPE	Months	Gross price EUR
HPR-DRY BP 400	24	on request
HPR-DRY BP 600	24	on request
HPR-DRY BP 780	24	on request
HPR-DRY BP 1000	24	on request
HPR-DRY BP 1200	24	on request
HPR-DRY BP 1600	24	on request
HPR-DRY BP 2000	24	on request
HPR-DRY BP 2500	24	on request
HPR-DRY BP 3000	24	on request
HPR-DRY BP 3600	24	on request

SERVICE KITS 48 MONTHS		PG/10
SERVICE KIT TYPE	Months	Gross price EUR
HPR-DRY BP 400	48	on request
HPR-DRY BP 600	48	on request
HPR-DRY BP 780	48	on request
HPR-DRY BP 1000	48	on request
HPR-DRY BP 1200	48	on request
HPR-DRY BP 1600	48	on request
HPR-DRY BP 2000	48	on request
HPR-DRY BP 2500	48	on request
HPR-DRY BP 3000	48	on request
HPR-DRY BP 3600	48	on request

OPTIONAL EQUIPMENT		PG/9
EQUIPMENT TYPE	CODE	Gross price EUR
Dew point sensor Easidew	2505872	1.794,47
Dew point sensor with cable connection	4000949	1.866,55
Dew point sensor measurement chamber	2505628	184,02
Modbus RTU	5010546	524,95
Profibus	5010522	1.174,90
Valve position switches HPR-DRY BP	2506527	4.291,59
Testing in presence of the customer	1058	672,67 (net price)
Coming on site, excluding transport costs	1059	1.076,26/day (net price)

NOTE:

Standard communication protocol is Modbus TCP/IP. On request Profinet TCP/IP or can be implemented.

HPR-DRY BVL

HIGH PRESSURE HEAT REGENERATION ADSORPTION DRYERS - COOLING WITH CLOSED LOOP

operating pressure

50 bar
**INCLUDED**

- pre-filter,
- after-filter,
- Siemens controller.

TECHNICAL DATA & PRICES			PG/10
Model	Max. oper. pressure	Connection IN/OUT	Gross price
	bar	DN	EUR
HPR-DRY BVL 400	50	DN50	on request
HPR-DRY BVL 600		DN50	on request
HPR-DRY BVL 780		DN50	on request
HPR-DRY BVL 1000		DN50	on request
HPR-DRY BVL 1200		DN80	on request
HPR-DRY BVL 1600		DN80	on request
HPR-DRY BVL 2000		DN100	on request
HPR-DRY BVL 2500		DN100	on request
HPR-DRY BVL 3000		DN100	on request
HPR-DRY BVL 3600		DN100	on request

⁽¹⁾ Refers to 1 bar(a) and 20 °C at 7 bar operating pressure , inlet temperature 35 °C and pressure dew point at outlet –40 °C

* If dryer is supplied without inlet filter compressed air class 1 (ISO 8753-1) for solid particles and oil should be provided to the inlet of the dryer.

Remark:

- Standard dew point is –40 °C.
- Dew points –25 °C and –55 °C on request.

OPERATING PRESSURE 50 BAR - CORRECTION FACTORS - C_{op} (35 °C; 100 BAR)						
Operating pressure [bar]	25	30	35	40	45	50
Correction factor C_{op}	0,51	0,61	0,71	0,81	0,90	1

OPERATING TEMPERATURE - CORRECTION FACTORS - C_{OT}					
Operat. temperature [°C]	25	30	35	40	42,5
Operat. temperature [°F]	77	86	95	104	108
Correction factor C_{OT}	1	1	1	0,7	0,52



HPR-DRY BVL

SERVICE KITS

Service kit - 12 months

- filter elements
- silencers

Service kit - 24 months

- filter elements
- silencers
- non-return valves
- gaskets

Service kit - 48 months

- filter elements
- silencers
- non-return valves
- adsorbent
- gaskets

SERVICE KITS 12 MONTHS		PG/10
SERVICE KIT TYPE	Months	Gross price EUR
HPR-DRY BVL 400	12	on request
HPR-DRY BVL 600	12	on request
HPR-DRY BVL 780	12	on request
HPR-DRY BVL 1000	12	on request
HPR-DRY BVL 1200	12	on request
HPR-DRY BVL 1600	12	on request
HPR-DRY BVL 2000	12	on request
HPR-DRY BVL 2500	12	on request
HPR-DRY BVL 3000	12	on request
HPR-DRY BVL 3600	12	on request

SERVICE KITS 24 MONTHS		PG/10
SERVICE KIT TYPE	Months	Gross price EUR
HPR-DRY BVL 400	24	on request
HPR-DRY BVL 600	24	on request
HPR-DRY BVL 780	24	on request
HPR-DRY BVL 1000	24	on request
HPR-DRY BVL 1200	24	on request
HPR-DRY BVL 1600	24	on request
HPR-DRY BVL 2000	24	on request
HPR-DRY BVL 2500	24	on request
HPR-DRY BVL 3000	24	on request
HPR-DRY BVL 3600	24	on request

SERVICE KITS 48 MONTHS		PG/10
SERVICE KIT TYPE	Months	Gross price EUR
HPR-DRY BVL 400	48	on request
HPR-DRY BVL 600	48	on request
HPR-DRY BVL 780	48	on request
HPR-DRY BVL 1000	48	on request
HPR-DRY BVL 1200	48	on request
HPR-DRY BVL 1600	48	on request
HPR-DRY BVL 2000	48	on request
HPR-DRY BVL 2500	48	on request
HPR-DRY BVL 3000	48	on request
HPR-DRY BVL 3600	48	on request

OPTIONAL EQUIPMENT		PG/9
EQUIPMENT TYPE	CODE	Gross price EUR
Dew point sensor Easidew	2505872	1.794,47
Dew point sensor with cable connection	4000949	1.866,55
Dew point sensor measurement chamber	2505628	184,02
Modbus RTU	5010546	524,95
Profibus	5010522	1.174,90
Valve position switches HPR-DRY BVL	2506527	4.291,59
Testing in presence of the customer	1058	672,67 (net price)
Coming on site, excluding transport costs	1059	1.076,26/day (net price)

NOTE:
Standard communication protocol is Modbus TCP/IP. On request Profinet TCP/IP or can be implemented.

HP-DRY

HIGH PRESSURE DRYERS



INCLUDED

- pre-filter with timer drain,
- after-filter with needle valve,
- Siemens LOGO controller.

operating pressure
50 / 100 / 250 / 420 bar

TECHNICAL DATA & PRICES - 50 bar

Model	Connection IN/OUT	Inlet flow ¹ m ³ /h	Outlet flow ² m ³ /h	Dimensions			Mass kg	CODE	Gross price EUR
				H mm	W mm	D mm			
HP-DRY 050 PN50	G 3/8	50	48,5	1.200	680	580	130	12000197	22.313,64
HP-DRY 100 PN50	G 3/8	100	97	1.250	680	580	150	12000200	23.740,08
HP-DRY 150 PN50	G 3/8	150	145,5	1.550	680	580	170	12000206	24.758,97
HP-DRY 250 PN50	G 3/8	250	242,5	1.700	820	700	260	12000209	30.464,72
HP-DRY 350 PN50	G 1/2	350	339,5	1.700	820	700	320	12000212	35.253,49
HP-DRY 500 PN50	G 1/2	500	485	1.920	820	700	410	12000215	40.246,06
HP-DRY 650 PN50	G 1/2	650	630,5	2.250	820	700	460	12000218	49.925,46

OPERATING PRESSURE 50 bar - CORRECTION FACTORS - C_{op}

Operating pressure [bar]	25	30	35	40	45	50
Correction factor C _{op}	0,51	0,61	0,71	0,81	0,90	1

TECHNICAL DATA & PRICES - 250 bar

Model	Connection IN/OUT	Inlet flow ¹ m ³ /h	Outlet flow ² m ³ /h	Dimensions			Mass kg	CODE	Gross price EUR
				H mm	W mm	D mm			
HP-DRY 050 PN250	G 3/8	50	48,5	1.000	680	450	95	12000196	29.445,84
HP-DRY 100 PN250	G 3/8	100	97	1.360	680	450	135	12000199	31.177,94
HP-DRY 150 PN250	G 3/8	150	145,5	1.600	680	450	145	12000205	32.425,07
HP-DRY 250 PN250	G 3/8	250	242,5	1.500	680	450	180	12000208	36.304,99
HP-DRY 350 PN250	G 1/2	350	339,5	1.400	820	650	250	12000211	40.323,48
HP-DRY 500 PN250	G 1/2	500	485	1.500	820	650	300	12000214	44.147,96
HP-DRY 650 PN250	G 1/2	650	630,5	1.500	820	650	400	12000217	48.720,72
HP-DRY 800 PN250	G 1/2	800	776	1.550	820	650	460	12000220	54.526,76
HP-DRY 1000 PN250	G 1/2	1000	970	1.600	820	650	580	12000541	57.727,70
HP-DRY 1200 PN250	G 1/2	1200	1164	1.550	820	700	620	12000542	59.376,67
HP-DRY 1400 PN250	G 1/2	1400	1358	1.650	820	700	650	12000543	61.663,05

OPERATING PRESSURE 250 bar - CORRECTION FACTORS - C_{op}

Operating pressure [bar]	110	130	160	190	220	250
Correction factor C _{op}	0,44	0,52	0,64	0,76	0,88	1,00

(1) Refers to 1bar(a) and 20 °C, at nominal operating pressure, inlet temperature 35 °C and pressure dew point at outlet -40 °C.

(2) Purge air requirements depend on actual operating conditions (Typically about 3 %).

* If dryer is supplied without inlet filter compressed air class 1 (ISO 8753-1) for solid particles and oil should be provided to the inlet of the dryer.

Remark:

- Standard dew point is -40 °C.
- Dew points -55 °C on request.

TECHNICAL DATA & PRICES - 100 bar

Model	Connection IN/OUT	Inlet flow ¹ m ³ /h	Outlet flow ² m ³ /h	Dimensions			Mass kg	CODE	Gross price EUR
				H mm	W mm	D mm			
HP-DRY 050 PN100	G 3/8	50	48,5	1.250	680	580	125	12000195	25.219,49
HP-DRY 100 PN100	G 3/8	100	97	1.350	680	580	170	12000198	26.674,46
HP-DRY 150 PN100	G 3/8	150	145,5	1.650	680	580	200	12000204	30.762,24
HP-DRY 250 PN100	G 3/8	250	242,5	1.550	680	600	210	12000207	34.157,18
HP-DRY 350 PN100	G 1/2	350	339,5	1.460	820	680	270	12000210	39.422,79
HP-DRY 500 PN100	G 1/2	500	485	1.700	820	680	290	12000213	43.371,98
HP-DRY 650 PN100	G 1/2	650	630,5	1.800	820	700	380	12000216	46.933,18
HP-DRY 800 PN100	G 1/2	800	776	1.850	820	680	480	12000219	52.517,51

OPERATING PRESSURE 100 bar - CORRECTION FACTORS - C_{op}

Operating pressure [bar]	50	60	70	80	90	100
Correction factor C _{op}	0,50	0,60	0,70	0,80	0,90	1,00

TECHNICAL DATA & PRICES - 420 bar

Model	Connection IN/OUT	Inlet flow ¹ m ³ /h	Outlet flow ² m ³ /h	Dimensions			Mass kg	CODE	Gross price EUR
				H mm	W mm	D mm			
HP-DRY 100 PN420	G 3/8	100	97	1.120	680	450	120	12002750	32.979,33
HP-DRY 150 PN420	G 3/8	150	145,5	1.350	680	450	135	12002751	34.420,45
HP-DRY 250 PN420	G 3/8	250	242,5	1.450	680	580	190	12002752	38.480,51
HP-DRY 350 PN420	G 1/2	350	339,5	1.350	820	580	270	12002753	42.429,72
HP-DRY 500 PN420	G 1/2	500	485	1.380	820	650	310	12002749	46.628,36
HP-DRY 650 PN420	G 1/2	650	630	1.450	820	650	440	12002755	52.101,81
HP-DRY 800 PN420	G 1/2	800	776	1.230	820	650	425	12002756	57.436,70
HP-DRY 1000 PN420	G 1/2	1000	970	1.450	820	650	600	12002757	59.861,65
HP-DRY 1200 PN420	G 1/2	1200	1164	1.450	1.000	900	850	12002758	62.681,52
HP-DRY 1400 PN420	G 1/2	1400	1358	1.500	1.000	900	800	12002759	66.027,97
HP-DRY 1600 PN420	G 1/2	1600	1552	1.450	1.000	900	1.200	12002760	72.055,69

OPERATING PRESSURE 420 bar - CORRECTION FACTORS - C_{op}

Operating pressure [bar]	250	275	300	325	350	375	420
Correction factor C _{op}	0,63	0,69	0,75	0,81	0,88	0,94	1,00



HP-DRY

SERVICE KITS

Service kit - 12/24 months

- filter elements
- silencers

Service kit - 36 months

- filter elements
- silencers
- valves
- adsorbent
- gaskets

SERVICE KITS 12/24 MONTHS				PG/10	SERVICE KITS 36 MONTHS				PG/10
SERVICE KIT TYPE	Months	CODE	Gross price EUR		SERVICE KIT TYPE	Months	CODE	Gross price EUR	
HP-DRY 050 PN50	12/24	12000821	336,34		HP-DRY 050 PN50	36	12000858	5.314,05	
HP-DRY 100 PN50	12/24	12000822	531,40		HP-DRY 100 PN50	36	12000859	5.408,22	
HP-DRY 150 PN50	12/24	12000823	531,40		HP-DRY 150 PN50	36	12000860	5.502,38	
HP-DRY 250 PN50	12/24	12000824	531,40		HP-DRY 250 PN50	36	12000861	5.731,09	
HP-DRY 350 PN50	12/24	12000825	578,49		HP-DRY 350 PN50	36	12000862	5.919,44	
HP-DRY 500 PN50	12/24	12000826	679,39		HP-DRY 500 PN50	36	12000863	6.188,50	
HP-DRY 650 PN50	12/24	12000827	679,39		HP-DRY 650 PN50	36	12000864	6.518,11	
HP-DRY 050 PN100	12/24	12000828	336,34		HP-DRY 050 PN100	36	12000865	9.736,73	
HP-DRY 100 PN100	12/24	12000829	531,40		HP-DRY 100 PN100	36	12000866	10.012,52	
HP-DRY 150 PN100	12/24	12000830	531,40		HP-DRY 150 PN100	36	12000867	10.073,06	
HP-DRY 250 PN100	12/24	12000831	531,40		HP-DRY 250 PN100	36	12000868	10.160,51	
HP-DRY 350 PN100	12/24	12000832	578,49		HP-DRY 350 PN100	36	12000869	10.254,67	
HP-DRY 500 PN100	12/24	12000833	672,67		HP-DRY 500 PN100	36	12000870	10.389,20	
HP-DRY 650 PN100	12/24	12000834	672,67		HP-DRY 650 PN100	36	12000871	10.564,10	
HP-DRY 800 PN100	12/24	12000835	773,56		HP-DRY 800 PN100	36	12000872	10.712,09	
HP-DRY 050 PN250	12/24	12000836	618,85		HP-DRY 050 PN250	36	12000873	10.095,66	
HP-DRY 100 PN250	12/24	12000837	618,85		HP-DRY 100 PN250	36	12000874	10.129,29	
HP-DRY 150 PN250	12/24	12000838	618,85		HP-DRY 150 PN250	36	12000875	10.162,92	
HP-DRY 250 PN250	12/24	12000839	672,67		HP-DRY 250 PN250	36	12000876	10.196,54	
HP-DRY 350 PN250	12/24	12000840	672,67		HP-DRY 350 PN250	36	12000877	10.230,19	
HP-DRY 500 PN250	12/24	12000841	672,67		HP-DRY 500 PN250	36	12000878	10.263,82	
HP-DRY 650 PN250	12/24	12000842	672,67		HP-DRY 650 PN250	36	12000879	10.357,99	
HP-DRY 800 PN250	12/24	12000843	672,67		HP-DRY 800 PN250	36	12000880	10.553,07	
HP-DRY 1000 PN250	12/24	12000844	813,92		HP-DRY 1000 PN250	36	12000881	10.620,32	
HP-DRY 1200 PN250	12/24	12000845	813,92		HP-DRY 1200 PN250	36	12000882	10.667,43	
HP-DRY 1400 PN250	12/24	12000846	813,92		HP-DRY 1400 PN250	36	12000883	10.707,78	
HP-DRY 100 PN420	12/24	12000847	517,94		HP-DRY 100 PN420	36	12000884	10.219,54	
HP-DRY 150 PN420	12/24	12000848	517,94		HP-DRY 150 PN420	36	12000885	10.259,90	
HP-DRY 250 PN420	12/24	12000849	598,68		HP-DRY 250 PN420	36	12000886	10.307,00	
HP-DRY 350 PN420	12/24	12000850	598,68		HP-DRY 350 PN420	36	12000887	10.394,45	
HP-DRY 500 PN420	12/24	12000851	598,68		HP-DRY 500 PN420	36	12000888	10.508,79	
HP-DRY 650 PN420	12/24	12000852	612,12		HP-DRY 650 PN420	36	12000889	10.549,16	
HP-DRY 800 PN420	12/24	12000853	719,75		HP-DRY 800 PN420	36	12000890	10.650,05	
HP-DRY 1000 PN420	12/24	12000854	719,75		HP-DRY 1000 PN420	36	12000891	11.931,63	
HP-DRY 1200 PN420	12/24	12000855	867,74		HP-DRY 1200 PN420	36	12000892	12.086,34	
HP-DRY 1400 PN420	12/24	12000856	867,74		HP-DRY 1400 PN420	36	12000893	12.187,25	
HP-DRY 1600 PN420	12/24	12000857	867,74		HP-DRY 1600 PN420	36	12000894	12.261,23	

OPTIONAL EQUIPMENT		PG/9
EQUIPMENT TYPE	CODE	Gross price EUR
Dew point sensor Easidew	2505872	1.794,47
Dew point sensor with cable connection	4000949	1.866,55
Dew point sensor measurement chamber	2505628	184,02
Controller ADC 2.4 (an upgrade from ADC 2.0)*		859,87

NOTE:

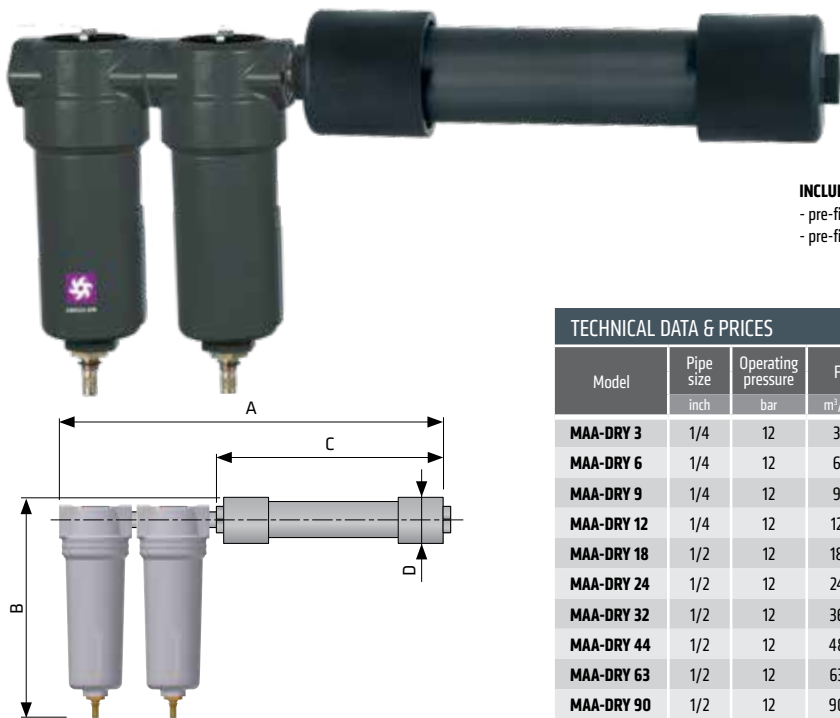
Standard communication protocol is Modbus TCP/IP. On request Profinet TCP/IP or can be implemented.

* Controller with 4-20 mA output for dew point and communication options (Modbus TCP/IP), Profinet TCP/IP, Web service access)

MAA-DRY

MEMBRANE DRYERS

operating pressure
12 bar



INCLUDED
- pre-filter XM with automatic drain AOK 16B and manometer PDI 16,
- pre-filter XS with automatic drain AOK 16B and manometer PDI 16.

TECHNICAL DATA & PRICES										PG/9
Model	Pipe size inch	Operating pressure bar	Flow rate *		Dimensions				CODE	Gross price EUR
			m ³ /h	scfm	A mm	B mm	C mm	D mm		
MAA-DRY 3	1/4	12	3	1,8	435	208	244	58	12000224	1.723,40
MAA-DRY 6	1/4	12	6	3,5	536	208	345	58	12000227	1.846,52
MAA-DRY 9	1/4	12	9	5,3	638	208	452	58	12000229	2.027,06
MAA-DRY 12	1/4	12	12	7,1	714	208	523	58	3515620	2.207,62
MAA-DRY 18	1/2	12	18	10,6	528	207	333	80	12000223	2.486,65
MAA-DRY 24	1/2	12	24	14,1	592	207	396	80	3517429	2.708,23
MAA-DRY 32	1/2	12	36	21,2	721	252	485	80	12000225	3.340,15
MAA-DRY 44	1/2	12	48	28,3	848	252	612	80	12000226	3.487,86
MAA-DRY 63	1/2	12	63	37,1	666	252	430	108	12000228	3.856,37
MAA-DRY 90	1/2	12	90	53	807	321	572	108	12000230	5.880,15
MAA-DRY 123	1/2	12	123	72,4	883	321	648	108	12000221	6.517,58
MAA-DRY 180	1	12	180	106,6	966	321	628	133	12000222	7.728,66

* At 7 bar, inlet dew point 35 °C, outlet dew point 15 °C.

OPERATING PRESSURE - CORRECTION FACTORS - C _{OP}										
Operating pressure [bar]	4	5	6	7	8	9	10	11	12	
Operating pressure [psi]	58	72	87	100	115	130	145	160	174	
Correction factor	0,41	0,56	0,76	1	1,22	1,48	1,76	1,86	2,22	

M-DRY MEMBRANE			
PG/9			
MFP			
Membrane model	M-DRY model	CODE	Gross Price (for membrane only) EUR
MFP 3	MAA-DRY 3	3505369	1.370,53
MFP 6	MAA-DRY 6	3505370	1.493,63
MFP 9	MAA-DRY 9	3505371	1.674,17
MFP 12	MAA-DRY 12	3505372	1.854,73
MFP 18	MAA-DRY 18	3505373	2.133,76
MFP 24	MAA-DRY 24	3505374	2.355,33
MFP 32	MAA-DRY 32	3505375	2.987,23
MFP 44	MAA-DRY 44	3505376	3.134,98
MFP 63	MAA-DRY 63	3506888	3.489,84
MFP 90	MAA-DRY 90	3506889	5.402,09
MFP 123	MAA-DRY 123	3506890	6.047,49
MFP 180	MAA-DRY 180	3506891	7.258,58

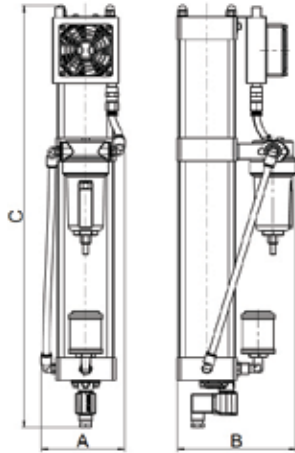
FILTER ELEMENTS			
PG/9			
borosilicate micro fibres			
Filter element type	Flow rate Nm ³ /h	Corresponding housing	Gross price EUR
3844	25	MAA-DRY 3	27,83
3844	25	MAA-DRY 6	27,83
3844	25	MAA-DRY 9	27,83
3844	25	MAA-DRY 12	27,83
7050	30	MAA-DRY 18	27,83
7050	30	MAA-DRY 24	27,83
7050	78	MAA-DRY 32	35,64
7050	78	MAA-DRY 44	35,64
7050	78	MAA-DRY 63	35,64
14050	120	MAA-DRY 90	45,87
14050	120	MAA-DRY 123	45,87
12075	198	MAA-DRY 180	57,75



PICO-DRY

HEATLESS REGENERATED ADSORPTION DRYER (PISTON COMPRESSOR)

operating pressure

10 bar


TECHNICAL DATA & PRICES										PG/9	
Model	Connection IN/OUT inch	Operating pressure bar	Inlet flow rate ⁽¹⁾ m ³ /h	Outlet flow rate ⁽²⁾ m ³ /h	Dimensions			Mass kg	Filter type	CODE	Gross price
					A mm	B mm	C mm				EUR
PICO-DRY 06	G 1/4	10	6	/*	638	196	269	10,5	AAF 0026	12000231	1.193,65
PICO-DRY 12	G 1/4	10	12	/*	938	196	269	13,5	AAF 0026	12000232	1.281,14

⁽¹⁾ Refers to 1 bar(a) and 20 °C at 7 bar operating pressure, inlet temperature 35 °C and pressure dew point at outlet down to -40 °C.

⁽²⁾ Heatless regenerated dryers normally consume approx. 15-20 % of air for regeneration. Actual consumption of PICO-DRY depend on compressor duty cycle. Volume of 1 vessel (adsorption).

CORRECTION FACTORS

Operating pressure [bar]	4	5	6	7	8	9	10
Operating pressure [psi]	58	72	87	100	115	130	145
Correction factor	0,63	0,75	0,88	1	1,13	1,25	1,38

CORRECTION FACTORS

Operating temperature [°C]	25	30	35	40	45	50
Operating temperature [°F]	77	86	95	104	113	122
Correction factor	1	1	1	0,97	0,87	0,80

PICO-DRY SERVICE KITS

Service kit - 12/36/60 months

- filter elements
- silencers

Service kit - 24 months

- filter elements
- silencers
- valves
- gaskets

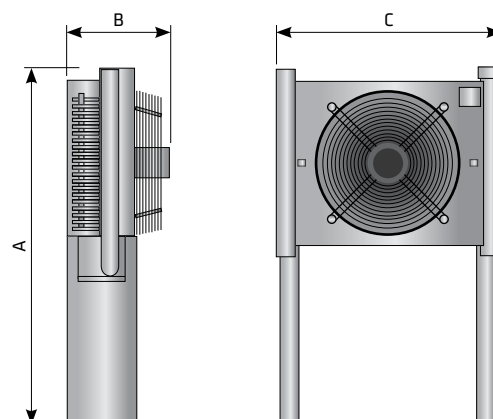
Service kit - 48 months

- filter elements
- silencers
- valves
- adsorbent
- gaskets

SERVICE KITS		PG/9
SERVICE KIT TYPE	CODE	Gross price EUR
PICO-DRY 06-12 (12/36/60 month replacement kits)	12000292	116,90
PICO-DRY 06-12 (24 month replacement kit)	12000293	169,16
PICO-DRY 06 (48 month replacement kit)	12000296	320,01
PICO-DRY 12 (48 month replacement kit)	12000297	359,20

ACA**AIR COOLED AFTERCOOLERS**

operating pressure

15 bar

TECHNICAL DATA & PRICES											PG/9		
Model	Connection	Power supply	Supported flow ⁽¹⁾		Fan		Cooling air flow	Dimensions			Mass	CODE	Gross price
fixed bundle	inch/DN	ph/V/Hz	Nm ³ /h	scfm	Diameter ø mm	PWR rating ⁽²⁾ W	Nm ³ /h	A mm	B mm	C mm	kg		EUR
ACA 003	1	1/230/50 1/230/60	66	39	250	40/52	400	884	245	400	19	3517382	1.018,66
ACA 007	1	1/230/50 1/230/60	126	74	250	40/52	400	884	245	400	20	3517279	1.043,67
ACA 010	1 ½	3/400/50 3/440/60	222	131	400	110	2.300	1.024	301	560	27	3517384	1.449,88
ACA 018	1 ½	3/400/50 3/440/60	294	173	400	130	3.800	1.014	321	560	29	3517385	1.681,11
ACA 030	2	3/400/50 3/440/60	390	230	500	540	7.000	1.134	321	760	44	3517379	1.956,08
ACA 047	2	3/400/50 3/440/60	522	307	500	540	7.000	1.280	329	760	48	3517393	2.118,57
ACA 070	2	3/400/50 3/440/60	774	456	630	Δ620/Y440	8.000	1.450	490	786	61	3517394	3.112,24
ACA 094	2 ½	3/400/50 3/440/60	990	583	630	Δ620/Y440	8.000	1.450	490	770	66	3517395	3.562,21
ACA 150	DN100	3/400/50 3/440/60	1.260	742	800	1.470	21.000	1.630	644	1.616	127	3517396	6.368,22
ACA 175	DN100	3/400/50 3/440/60	1.560	918	800	1.470	21.000	1.630	644	1.616	127	3517397	6.674,45
ACA 240	DN100	3/400/50 3/440/60	1.890	1.112	800	1.470	21.000	1.630	644	1.616	127	3517398	6.993,17
ACA 300	DN100	3/400/50 3/440/60	2.520	1.483	800	1.470	21.000	1.863	644	1.680	166	3517399	9.742,95
ACA 450	DN125	3/400/50 3/440/60	3.090	1.819	2x 800	1.470	2x 21.000	2.090	674	2.540	212	3517400	13.686,37
ACA 600	DN125	3/400/50 3/440/60	4.500	2.649	2x 800	1.470	2x 21.000	2.090	704	2.540	315	3517401	14.361,31

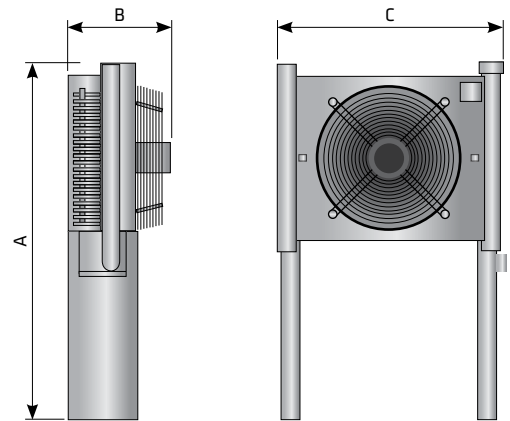
REMARK:⁽¹⁾ Compressed air flow at 7 bar(g) and 20 °C. Compressed air outlet temperature 10 °C higher than ambient air temperature.⁽²⁾ For 60 Hz 20 % more than stated.**CORRECTION FACTOR**

Operat. pressure [bar]	2	3	4	5	6	7	8	9	10	12	13	14	15
Operat. pressure [psi]	29	44	58	72	87	100	115	130	145	174	189	203	218
Correction factor	0,38	0,50	0,77	0,86	0,93	1,00	1,13	1,25	1,38	1,50	1,75	1,88	2,0

ACA HP

HIGH PRESSURE AIR COOLED AFTERCOOLERS

operating pressure

50 bar

TECHNICAL DATA & PRICES

PG/9

Model	Connection	Power supply	Supported flow ⁽¹⁾		Fan		Cooling air flow	Dimensions			Mass	CODE	Gross price
					Diameter ø mm	PWR rating ⁽²⁾ W		A mm	B mm	C mm			
ACA HP 003	1	1/230/50 1/230/60	66	39	250	40/52	400	884	245	400	20	3517209	3.172,00
ACA HP 007	1	1/230/50 1/230/60	126	74	250	40/52	400	884	245	400	21	3517210	3.317,60
ACA HP 018	1 ½	3/400/50 3/440/60	294	173	400	130	3.800	1.014	321	560	31	3517211	3.754,40
ACA HP 030	2	3/400/50 3/440/60	390	230	500	540	7.000	1.134	321	760	49	3517212	4.222,40
ACA HP 047	2	3/400/50 3/440/60	522	307	500	540	7.000	1.280	329	760	52	3517213	4.638,40
ACA HP 070	2	3/400/50 3/440/60	774	456	630	Δ620/Y440	8.000	1.450	490	786	67	3517214	6.032,00
ACA HP 094	2 ½	3/400/50 3/440/60	990	583	630	Δ620/Y440	8.000	1.450	490	770	72	3517215	6.676,80
ACA HP 150	DN100	3/400/50 3/440/60	1.260	742	800	1.470	21.000	1.630	644	1.616	136	3517216	11.887,20
ACA HP 175	DN100	3/400/50 3/440/60	1.560	918	800	1.470	21.000	1.630	644	1.616	136	3517217	11.887,20
ACA HP 240	DN100	3/400/50 3/440/60	1.890	1.112	800	1.470	21.000	1.630	644	1.616	136	3517218	11.887,20
ACA HP 300	DN100	3/400/50 3/440/60	2.520	1.483	800	1.470	21.000	1.863	644	1.680	172	3517219	19.312,80
ACA HP 450	DN125	3/400/50 3/440/60	3.090	1.819	2x 800	1.470	2x21.000	2.090	674	2.540	222	3517220	21.340,80
ACA HP 600	DN125	3/400/50 3/440/60	4.500	2.649	2x 800	1.470	2x21.000	2.090	704	2.540	326	3517221	23.306,40

REMARK:

⁽¹⁾ Compressed air flow at 7 bar, and 20 °C. Compressed air outlet temperature 10 °C higher than ambient air temperature.

⁽²⁾ For 60 Hz 20 % more than stated.

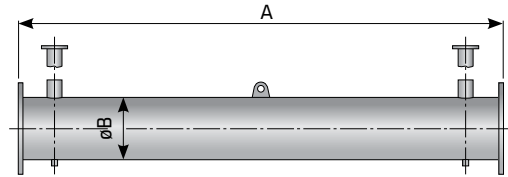
CORRECTION FACTOR

Operat. pressure [bar]	2	5	7	10	13	16	20	30	40	50
Operat. pressure [psi]	29	72	100	145	189	232	290	435	580	725
Correction factor	0,38	0,86	1	1,38	1,75	2,13	2,63	3,88	5,13	6,38

ACW

WATER COOLED AFTERCOOLERS

operating pressure

10 bar

TECHNICAL DATA & PRICES													PG/9		
ACW Cu model	CODE	Gross price	ACW SS model	CODE	Gross price	ACW FSS model	CODE	Gross price	Connections		Flow capacity ⁽¹⁾		Operating pressure bar	Dimensions	
Carbon steel housing, copper tubes		EUR	Carbon steel housing, stainless steel tubes		EUR	Stainless steel housing, stainless steel tubes		EUR	Air	Water	Nm ³ /h	scfm		A mm	B mm
ACW 195F Cu	12000097	3.373,34	ACW 195F SS	12000096	4.669,71	ACW 195F FSS	12002707	4.791,44	DN100	DN32	510	315	10	1.250	114,3
ACW 200F Cu	12000099	3.550,20	ACW 200F SS	12000098	4.861,21	ACW 200F FSS	12002708	5.032,86	DN100	DN32	1.000	620	10	1.500	114,3
ACW 220F Cu	12000101	3.722,07	ACW 220F SS	12000100	5.052,70	ACW 220F FSS	12002709	5.283,57	DN100	DN32	1.760	1.095	10	1.750	114,3
ACW 235F Cu	12000103	3.903,68	ACW 235F SS	12000102	5.244,21	ACW 235F FSS	12002710	5.534,29	DN100	DN32	2.200	1.370	10	2.000	114,3
ACW 330F Cu	12000107	4.733,48	ACW 330F SS	12000106	6.373,59	ACW 330F FSS	12002711	6.657,86	DN125	DN40	2.850	1.775	10	1.750	139,7
ACW 335F Cu	12002701	4.968,60	ACW 335F SS	12002704	6.629,64	ACW 335F FSS	12002712	7.010,72	DN125	DN40	3.940	2.455	10	2.000	139,7
ACW 385F Cu	12000111	5.789,26	ACW 385F SS	12000110	7.571,70	ACW 385F FSS	12002713	7.911,44	DN150	DN40	4.500	2.800	10	1.750	168,3
ACW 390F Cu	12002702	6.127,46	ACW 390F SS	12002705	7.943,00	ACW 390F FSS	12002714	8.403,57	DN150	DN40	5.300	3.300	10	2.000	168,3
ACW 500F Cu	12000112	8.421,18	ACW 500F SS	3519930	11.200,43	ACW 500F FSS	12002715	11.597,86	DN200	DN50	5.820	3.620	10	1.500	219,0
ACW 1000F Cu	12000095	11.784,78	ACW 1000F SS	12000094	15.496,94	ACW 1000F FSS	12002716	16.045,72	DN250	DN100	8.520	5.310	10	1.500	273,0
ACW 1400F Cu	12002703	15.388,85	ACW 1400F SS	12002706	20.063,51	ACW 1400F FSS	12002717	20.772,15	DN300	DN100	12.550	7.820	10	1.500	323,9

SIZING CONDITIONS:

Compressed air flow at 7 bar(g) working pressure and 50 °C inlet temperature (100 % saturated).

Compressed air outlet temperature 10 °C higher than inlet cooling water temperature, 5 °C cooling water differential temperature.

CONDITIONS:

Shell side: max. pressure 10 bar and temperature range -10 °C/90 °C.

Tube side: max. pressure 10 bar and temperature range -10 °C/200 °C.

REMARKS:

Different models for different flow rates, also with higher max. prellsure and higher max. inlet temperature are available on request.

For each specific project-related case we recommend to check actual sizing and performance of aftercooler with distributor.

CORRECTION FACTOR

Operat. pressure [bar]	2	3	4	5	6	7	8	9	10
Operat. pressure [psi]	29	44	58	72	87	100	115	130	145
Correction factor	0,38	0,50	0,63	0,75	0,88	1	1,13	1,25	1,38



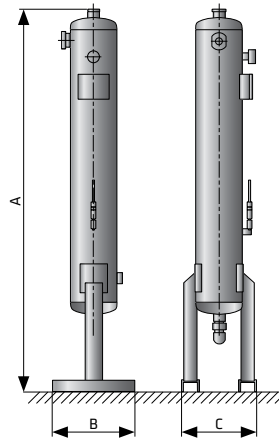
OMEGA AIR

more than air

TAC

ACTIVATED CARBON TOWER

operating pressure
16 bar



REMARK:
- TACm does not include OCI.
- TAC/TAC F include OCI.

TECHNICAL DATA & PRICES										PG/9
Model	Pipe size inch	Operating pressure bar	Flow rate at 7 bar(g), 20 °C		Dimensions			Mass kg	CODE	Gross price EUR
			Nm³/h	scfm	A mm	B mm	C mm			
TACm 6	3/8	16	6	3,5	492	164	130	4	3517328	535,22
TACm 12	3/8	16	12	7,1	687	164	130	5,5	3517329	642,27
TACm 23	3/8	16	24	14,1	1.077	164	130	8,2	3517330	870,63
TACm 35	3/8	16	36	21,1	1.466	164	130	11,1	3517331	1.098,98
TACm 56	3/4	16	60	35,3	1.082	212	160	17,4	3517332	1.677,02
TACm 70	3/4	16	75	41,1	1.277	212	160	20,3	3517333	1.912,52
TACm 105	3/4	16	117	61,8	1.677	212	160	26	3517334	2.383,52
TACm 150	1	16	150	88,9	1.393	328	240	50	3517335	2.592,70
TACm 200	1	16	200	117,7	1.608	328	240	57,5	3517336	2.808,20
TAC 110	1	16	110	86	1.545	350	287	45	3517647	2.733,20
TAC 150	1	16	150	117	1.795	350	287	52	12002483	2.925,87
TAC 200	1	16	200	157	1.550	400	318	71	3517607	3.153,45
TAC 250	1	16	250	204	1.800	400	318	83	12002485	3.345,83
TAC 300	1 1/2	16	300	251	1.565	450	373	97	12002487	3.853,01
TAC 400	1 1/2	16	400	321	1.815	450	373	114	3515801	4.372,32
TAC 600	1 1/2	16	590	462	1.880	450	425	160	3517512	5.145,88
TAC 800	2	16	770	603	1.930	650	452	201	12002492	6.262,50
TAC 1000	2	16	1.000	784	1.985	600	503	242	12002481	7.352,21
TAC 1200 F	DN50	16	1.200	936	2.070	550	590	280	12002482	11.468,91
TAC 1500 F	DN65	16	1.500	1.170	2.110	620	650	355	3517565	12.908,42
TAC 2000 F	DN65	16	2.000	1.560	2.195	700	750	420	12002484	14.482,44
TAC 2500 F	DN80	16	2.500	1.950	2.235	760	800	510	12002486	16.439,89
TAC 3000 F	DN80	16	3.000	2.340	2.305	900	860	595	12002488	18.081,18
TAC 3750 F	DN100	16	3.750	2.925	2.370	800	970	745	12002489	21.235,97
TAC 5000 F	DN100	16	5.000	3.900	2.500	950	1.100	960	12002490	22.540,94
TAC 6500 F	DN125	16	6.500	5.070	2.575	1.100	1.210	1.300	12002491	26.227,15

*At 7 bar, inlet dew point 35 °C, outlet dew point 15 °C.

SERVICE KITS		PG/9
TAC model	CODE	Gross price EUR
TACm 6	3505985	121,32
TACm 12	3505986	224,08
TACm 23	3505987	426,74
TACm 35	3505988	627,99
TACm 56	3505989	659,39
TACm 70	3505990	810,68
TACm 105	3505991	1.134,66
TACm 150	3513527	1.227,77
TACm 200	3513528	1.423,69
TAC 110	3510131	242,16
TAC 150	3510132	302,69
TAC 200	3510133	309,42
TAC 250	3510134	437,23
TAC 300	3510135	450,69
TAC 400	3510136	585,22
TAC 600	3510137	854,28
TAC 800	3510138	1.123,35
TAC 1000	3509910	1.392,40
TAC 1200 F	3509911	1.654,75
TAC 1500 F	3509912	1.923,81
TAC 2000 F	3509913	2.589,75
TAC 2500 F	3509914	3.269,14
TAC 3000 F	3509915	3.538,20
TAC 3750 F	3509916	4.903,71
TAC 5000 F	3509917	5.603,28
TAC 6500 F	3509918	8.152,66

CORRECTION FACTORS															
Operating pressure [bar]	2	3	4	5	6	7	8	9	10	11	12	13	14	15	16
Operating pressure [psi]	29	44	58	72	87	100	115	130	145	160	174	189	203	218	232
Correction factor	0,38	0,5	0,63	0,75	0,88	1	1,13	1,25	1,38	1,50	1,63	1,75	1,88	2,0	2,13

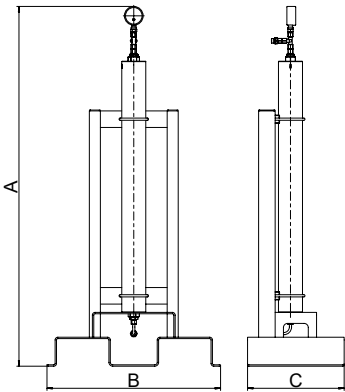
ACCESSORIES FOR TAC/TAC F	
PG/9	
Gross Price [EUR]	

	
OCI	OCI service kit
349,68	271,18

CORRECTION FACTORS							
Operating temperature [°C]	20	25	30	35	40	45	50
Correction factor	1	0,98	0,97	0,92	0,86	0,75	0,60

TAC HP

HIGH PRESSURE ACTIVATED CARBON TOWER



operating pressure
50 / 100 / 250 / 420 bar

TECHNICAL DATA & PRICES										PG/9	
Model	Pipe size inch	Operating pressure bar	Flow rate		Dimensions			Mass kg	CODE	Gross price EUR	
			Nm ³ /h	scfm	A mm	B mm	C mm				
TAC HP 50 PN50	3/8	50	50	29	1.200	630	350	52	12002518	5.192,97	
TAC HP 100 PN50	3/8		100	59	1.250	630	350	60	12002496	6.423,93	
TAC HP 150 PN50	3/8		150	88	1.550	630	350	68	12002506	8.818,61	
TAC HP 250 PN50	3/8		250	147	1.700	630	350	104	12002511	10.984,58	
TAC HP 350 PN50	1/2		350	206	1.700	680	450	128	12002515	15.921,94	
TAC HP 500 PN50	1/2		500	294	1.920	680	450	164	12002522	18.128,28	
TAC HP 650 PN50	1/2		650	383	2.250	680	450	184	12002526	20.327,88	
TAC HP 50 PN100	3/8	100	50	29	1.250	630	350	50	12002516	5.905,98	
TAC HP 100 PN100	3/8		100	59	1.350	630	350	68	12002493	6.356,66	
TAC HP 150 PN100	3/8		150	88	1.650	630	350	80	12002503	7.997,96	
TAC HP 250 PN100	3/8		250	147	1.550	630	350	84	12002508	11.959,96	
TAC HP 350 PN100	1/2		350	206	1.460	630	350	108	12002512	13.601,24	
TAC HP 500 PN100	1/2		500	294	1.700	630	350	116	12002519	15.289,64	
TAC HP 650 PN100	1/2		650	383	1.800	680	450	152	12002523	17.186,55	
TAC HP 800 PN100	1/2	800	471	1.850	680	450	192	12002527	21.155,26		
TAC HP 50 PN250	3/8	250	50	29	1.000	630	350	38	12002517	7.103,32	
TAC HP 100 PN250	3/8		100	59	1.360	630	350	54	12002494	8.576,46	
TAC HP 150 PN250	3/8		150	88	1.600	630	350	58	12002504	10.426,28	
TAC HP 250 PN250	3/8		250	147	1.500	630	350	72	12002509	13.116,93	
TAC HP 350 PN250	1/2		350	206	1.500	630	350	120	12002513	15.807,58	
TAC HP 500 PN250	1/2		500	294	1.500	630	350	112	12002520	16.392,80	
TAC HP 650 PN250	1/2		650	383	1.500	680	450	160	12002524	17.482,51	
TAC HP 800 PN250	1/2	800	471	1.550	680	450	184	12002528	21.861,57		
TAC HP 1000 PN250	1/2	1.000	589	1.600	680	450	232	12002497	28.796,72		
TAC HP 1200 PN250	1/2	1.200	706	1.550	680	450	248	12002499	31.695,90		
TAC HP 1400 PN250	1/2	1.400	824	1.650	680	450	260	12002501	34.056,93		
TAC HP 100 PN420	3/8	420	100	59	1.120	630	350	48	12002495	7.231,12	
TAC HP 150 PN420	3/8		150	88	1.360	630	350	54	12002505	8.657,17	
TAC HP 250 PN420	3/8		250	147	1.450	630	350	76	12002510	13.116,93	
TAC HP 350 PN420	1/2		250	206	1.350	630	350	108	12002514	16.312,09	
TAC HP 500 PN420	1/2		500	294	1.380	630	350	124	12002521	17.576,70	
TAC HP 650 PN420	1/2		650	383	1.450	630	350	176	12002525	19.507,25	
TAC HP 800 PN420	1/2		800	471	1.230	630	350	170	12002529	22.285,34	
TAC HP 1000 PN420	1/2	1.000	589	1.450	630	350	240	12002498	25.897,54		
TAC HP 1200 PN420	1/2	1.200	706	1.450	680	450	340	12002500	27.747,37		
TAC HP 1400 PN420	1/2	1.400	824	1.500	680	450	320	12002502	31.366,30		
TAC HP 1600 PN420	1/2	1.600	942	1.450	680	450	480	12002507	33.969,50		

TAC HP SERVICE KITS		PG/9
TAC HP model	CODE	Gross price EUR
TAC HP 50 PN50	3402600	56,37
TAC HP 100 PN50	3402601	94,79
TAC HP 150 PN50	3402602	126,86
TAC HP 250 PN50	3402603	191,57
TAC HP 350 PN50	3402604	259,24
TAC HP 500 PN50	3402605	318,09
TAC HP 650 PN50	3402606	456,66
TAC HP 50 PN100	3402607	44,40
TAC HP 100 PN100	3402608	58,59
TAC HP 150 PN100	3402609	73,18
TAC HP 250 PN100	3402610	111,59
TAC HP 350 PN100	3402611	140,04
TAC HP 500 PN100	3402612	188,62
TAC HP 650 PN100	3402613	238,67
TAC HP 800 PN100	3402614	284,25
TAC HP 50 PN250	3402615	37,34
TAC HP 100 PN250	3402616	43,32
TAC HP 150 PN250	3402617	48,15
TAC HP 250 PN250	3402618	58,66
TAC HP 350 PN250	3402619	70,90
TAC HP 500 PN250	3402620	100,77
TAC HP 650 PN250	3402621	118,33
TAC HP 800 PN250	3402622	139,32
TAC HP 1000 PN250	3402623	161,04
TAC HP 1200 PN250	3402624	200,92
TAC HP 1400 PN250	3402625	234,89
TAC HP 100 PN420	3402626	38,82
TAC HP 150 PN420	3402627	43,32
TAC HP 250 PN420	3402628	48,13
TAC HP 350 PN420	3402629	56,37
TAC HP 500 PN420	3402630	65,73
TAC HP 650 PN420	3402631	94,05
TAC HP 800 PN420	3402632	103,72
TAC HP 1000 PN420	3402633	123,57
TAC HP 1200 PN420	3402634	137,08
TAC HP 1400 PN420	3402635	159,49
TAC HP 1600 PN420	3402636	166,95

Replace activated carbon every 12 months or sooner if required. Check residual oil content with oil indicator monthly.

CORRECTION FACTORS - OPERATING PRESSURE - HP-TAC PN50						
Operating pressure [bar]	25	30	35	40	45	50
Operating pressure [psi]	363	435	508	580	653	725
Correction factor C _{op}	0,51	0,61	0,71	0,81	0,9	1

CORRECTION FACTORS - OPERATING PRESSURE - HP-TAC PN100						
Operating pressure [bar]	50	60	70	80	90	100
Operating pressure [psi]	725	870	1015	1160	1305	1450
Correction factor C _{op}	0,5	0,6	0,7	0,8	0,9	1

CORRECTION FACTORS - OPERATING PRESSURE - HP-TAC PN250						
Operating pressure [bar]	110	130	160	190	220	250
Operating pressure [psi]	1595	1885	2320	2755	3190	3625
Correction factor C _{op}	0,44	0,52	0,64	0,76	0,88	1

CORRECTION FACTORS - OPERATING PRESSURE - HP-TAC PN420								
Operating pressure [bar]	250	275	300	325	350	375	400	420
Operating pressure [psi]	3625	3990	4350	4715	5075	5440	5800	6091
Correction factor C _{op}	0,59	0,65	0,71	0,77	0,83	0,89	0,95	1

CORRECTION FACTORS - OPERATING TEMPERATURE							
Operating temperature [°C]	20	25	30	35	40	45	50
Correction factor	1	0,98	0,97	0,92	0,86	0,75	0,6

SORBEO

ADSORBENTS



SORBEO MS 3A - Molecular sieve						PG/9
Model	Shape mm	Bulk density kg/l	Package	Mass kg	CODE	Gross price EUR
SORBEO MS3-S	Granule 2,5 - 5,0	0,7	5,8 L bucket	4	3701177	97,00
SORBEO MS3-M			16,6 L bucket	11,5	3701178	256,36
SORBEO MS3-L			35,4 L bucket	24	3701179	408,77
SORBEO MS3-XL			216,5 L barrel	150	3701180	2.279,45
SORBEO MS3-XXL			4 x barrel	600	3701181	8.300,26



SORBEO MS 4A - Molecular sieve						PG/9
Model	Shape mm	Bulk density kg/l	Package	Mass kg	CODE	Gross price EUR
SORBEO MS4-S	Granule 2,5 - 5,0	0,7	5,8 L bucket	4	3701133	69,30
SORBEO MS4-M			16,6 L bucket	11,5	3701134	166,29
SORBEO MS4-L			35,4 L bucket	24	3701135	313,15
SORBEO MS4-XL			220 L barrel	150	3701136	1.870,68
SORBEO MS4-XXL			Big bag	800	3701137	7.898,42



SORBEO MS10 A - Molecular sieve						PG/9
Model	Shape mm	Bulk density kg/l	Package	Mass kg	CODE	Gross price EUR
SORBEO MS10 A-S	Granule 2,5 - 5,0	0,64	5,8 L bucket	3,5	3701182	137,19
SORBEO MS10 A-M			16,6 L bucket	10,5	3701183	339,50
SORBEO MS10 A-L			35,4 L bucket	22	3701184	678,98
SORBEO MS10 A-XL			216,5 L barrel	130	3701185	3.595,86
SORBEO MS10 A-XXL			4x barrel	520	3701186	13.579,73



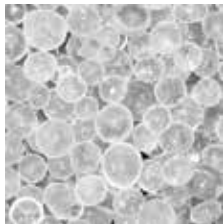
SORBEO MS10 O ₂ - Molecular sieve						PG/9
Model	Shape mm	Bulk density kg/l	Package	Mass kg	CODE	Gross price EUR
SORBEO MS10 O2-S	Granule 1,6 - 2,6	0,68	5,6 L bucket	3,8	3701839	149,60
SORBEO MS10 O2-M			17 L bucket	11	3701840	355,35
SORBEO MS10 O2-L			35,4 L bucket	23,5	3701841	692,07
SORBEO MS10 O2-XL			210 L barrel	135	3701842	3.492,05



SORBEO AA - Activated Alumina						PG/9
Model	Shape mm	Bulk density kg/l	Package	Mass kg	CODE	Gross price EUR
SORBEO AA-S	Granule 3 - 4	0,70	5,8 L bucket	3,7	3701148	64,10
SORBEO AA-M			16,6 L bucket	11	3701149	146,07
SORBEO AA-L			35,4 L bucket	24,5	3701150	276,62
SORBEO AA-XL			220 L barrel	155	3701151	1.642,45
SORBEO AA-XXL			Big bag	600	3701852	5.499,94



SORBEO SGWS - Water resistant silica gel						PG/9
Model	Shape mm	Bulk density kg/l	Package	Mass kg	CODE	Gross price EUR
SORBEO SGWS-S	Granule 2,0 - 5,0	0,7	5,8 L bucket	4	3701452	124,73
SORBEO SGWS-M			16,6 L bucket	11,5	3701453	320,65
SORBEO SGWS-L			35,4 L bucket	24	3701454	594,31
SORBEO SGWS-XL			220 L barrel	150	3701455	3.252,29
SORBEO SGWS-XXL			Big bag	750	3701456	15.561,22



SORBEO SGR - Silica Gel						PG/9
Model	Shape mm	Bulk density kg/l	Package	Mass kg	CODE	Gross price EUR
SORBEO SGR-S	Granule 2,0 - 5,0	0,7	5,8 L bucket	4	3701143	76,22
SORBEO SGR-M			16,6 L bucket	11,5	3701144	200,92
SORBEO SGR-L			35,4 L bucket	24	3701145	346,42
SORBEO SGR-XL			220 L barrel	150	3701146	2.023,10
SORBEO SGR-XXL			Big bag	500	3701147	5.542,73



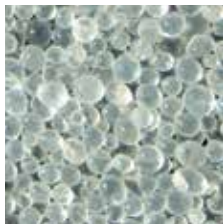
SORBEO AC - Activated Carbon						PG/9
Model	Shape mm	Bulk density kg/l	Package	Mass kg	CODE	Gross price EUR
SORBEO AC-S	Pellet 3	0,5	5,8 L bucket	2,7	3701128	48,48
SORBEO AC-M			16,6 L bucket	7,8	3701129	115,97
SORBEO AC-L			35,4 L bucket	16,5	3701130	212,69
SORBEO AC-XL			220 L barrel	95	3701131	1.237,69



SORBEO HC - Catalyst						PG/9
Model	Shape mm	Bulk density kg/l	Package	Mass kg	CODE	Gross price EUR
SORBEO HC-S	Granule 3	0,9	5,8 L bucket	5	3701153	1.316,40
SORBEO HC-M			16,6 L bucket	14	3701154	3.394,92
SORBEO HC-L			35,4 L bucket	31	3701155	7.205,57
SORBEO HC-XL			220 L barrel	190	3701156	44.341,97



SORBEO CMS - Carbon Molecular Sieve						PG/9
Model	Shape mm	Bulk density kg/l	Package	Mass kg	CODE	Gross price EUR
SORBEO CMS-S	Pellets 1,18 ± 0,2	0,68 - 0,71	30 L bucket	20	3701370	1.275,94
SORBEO CMS-M			4x30 L bucket	80	3701371	4.589,61
SORBEO CMS-L			8x30 L bucket	160	3701372	7.919,35
SORBEO CMS-XL			16x30 L bucket	320	3701373	15.358,73



SORBEO SGC - Silica gel						PG/9
Model	Shape mm	Bulk density kg/l	Package	Mass kg	CODE	Gross price EUR
SORBEO SGC-S	Granulate 2 - 5	0,8	5,8 L bucket	4,8	3701360	215,26
SORBEO SGC-M			16,6 L bucket	11,5	3701361	692,85
SORBEO SGC-L			35,4 L bucket	24	3701362	1.170,42
SORBEO SGC-XL			220 L barrel	150	3701363	6.719,91



SORBEO SL - Soda lime						PG/9
Model	Shape	Bulk density kg/l	Package	Mass kg	CODE	Gross price EUR
SORBEO SL-S	Hemispherical pellet	0,93	5,8 L bucket	5,3	3701585	352,65
SORBEO SL-M			16,6 L bucket	15,4	3701586	933,90
SORBEO SL-L			35,4 L bucket	32,9	3701587	1.835,14
SORBEO SL-XL			220 L barrel	204,6	3701588	10.697,30

N-GEN

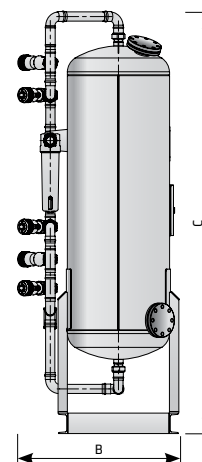
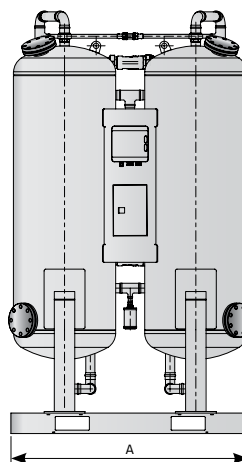
PSA NITROGEN GENERATORS

operating pressure
6-10 bar



INCLUDED

- pre-filter with automatic drain AOK 16B and manometer PDI 16 (N-GEN 03-200), MDM 40 (N-GEN250-400),
- after-filter with manual drain MCD and manometer PDI 16 (N-GEN 03-200), MDM 40 (N-GEN250-400),
- controller without external interface, with control lamps and switches.



TECHNICAL DATA & PRICES									PG/9
Model	Connection		Dimensions			Mass kg	CODE	Gross price EUR	
	In "	Out "	L mm	B mm	H mm				
N-GEN 03	1/2	1/2	1.097	550	1.665	171	12000058	19.224,71	
N-GEN 05	1/2	1/2	1.126	550	1.768	191	12002441	19.762,85	
N-GEN 10	1/2	1/2	1.100	550	1.674	230	12000059	21.457,95	
N-GEN 15	1/2	1/2	1.102	550	1.804	310	12001790	24.188,96	
N-GEN 20	1	1/2	1.152	550	1.968	345	12000062	29.503,02	
N-GEN 25	1	1/2	1.282	760	2.094	585	12001631	34.924,68	
N-GEN 35	1	1/2	1.398	760	2.103	720	12001932	46.077,44	
N-GEN 50	1	1/2	1.450	760	2.140	870	12000067	53.523,82	
N-GEN 65	1	1/2	1.650	860	2.211	955	12000068	60.405,18	
N-GEN 80	1	1	1.749	860	2.361	1.215	12000069	69.813,31	
N-GEN 100	2	1	2.003	1.010	2.273	1.660	12000060	79.239,73	
N-GEN 150	2	1	2.107	1.180	2.387	2.540	12000061	102.177,56	
N-GEN 200	2	2	2.434	1.325	2.404	3.035	12000063	120.944,87	
N-GEN 250	2	2	2.603	1.425	2.510	4.100	12000064	153.232,71	
N-GEN 300	2	2	2.815	1.630	2.629	4.998	12000065	182.291,75	

CORRECTION FACTORS FOR COMPRESSED AIR TEMPERATURE										
Compressed air temperature [°C]	10	15	20	25	30	35	40	45	50	55
Correction factor	0,92	0,97	1	1	1	1	0,96	0,88	0,79	0,67

CORRECTION FACTORS PRESSURE								
Nitrogen purity [%]	97	98	99	99,5	99,9	99,99	99,999	
Inlet pressure [barg]	6	0,90	0,91	0,92	0,92	0,93	0,94	0,96
	7	1,00	1,00	1,00	1,00	1,00	1,00	1,00
	8	1,00	1,00	1,00	1,00	1,00	1,00	1,00
	9	1,10	1,10	1,09	1,09	1,08	1,07	1,08
	10	1,13	1,12	1,12	1,11	1,11	1,10	1,09

PERFORMANCE				Residual Oxygen [vol. %]						
at inlet temperature 30 °C				3	2	1	0,5	0,1	0,01	0,001
Type		Inlet pressure barg	Discharge pressure barg	Total inert gas purity [vol. %]						
				97	98	99	99,5	99,9	99,99	99,999
N-GEN 03	N ₂ flow [Nm ³ /h]	7,5	6,3	5,84	5,58	5,13	3,63	2,74	1,61	0,90
	Feed air consumption [Nm ³ /h]			12,3	12,0	11,0	10,2	10,2	8,1	5,2
N-GEN 05	N ₂ flow [Nm ³ /h]	7,5	6,3	9,34	8,91	8,21	5,80	4,39	2,58	1,44
	Feed air consumption [Nm ³ /h]			19,6	19,2	17,6	16,2	16,2	12,9	8,3
N-GEN 10	N ₂ flow [Nm ³ /h]	7,5	6,3	14,4	13,7	12,6	8,9	6,8	4,0	2,2
	Feed air consumption [Nm ³ /h]			30,2	29,5	27,2	25,0	25,0	19,8	12,8
N-GEN 15	N ₂ flow [Nm ³ /h]	7,5	6,3	23,8	22,7	20,9	14,8	11,2	6,6	3,7
	Feed air consumption [Nm ³ /h]			49,9	48,8	44,9	41,3	41,3	32,8	21,2
N-GEN 20	N ₂ flow [Nm ³ /h]	7,5	6,3	28,6	27,3	25,1	17,7	13,4	7,9	4,4
	Feed air consumption [Nm ³ /h]			60,0	58,6	54,0	49,7	49,7	39,4	25,4
N-GEN 25	N ₂ flow [Nm ³ /h]	7,5	6,3	42,7	40,7	37,5	26,5	20,0	11,8	6,6
	Feed air consumption [Nm ³ /h]			89,6	87,6	80,6	74,2	74,2	58,9	38,0
N-GEN 35	N ₂ flow [Nm ³ /h]	7,5	6,3	67,7	64,6	59,5	42,0	31,8	18,7	10,5
	Feed air consumption [Nm ³ /h]			142,1	138,8	127,8	117,7	117,6	93,3	60,2
N-GEN 50	N ₂ flow [Nm ³ /h]	7,5	6,3	86,9	82,9	76,3	54,0	40,8	24,0	13,4
	Feed air consumption [Nm ³ /h]			182,4	178,3	164,1	151,1	151,0	119,8	77,3
N-GEN 65	N ₂ flow [Nm ³ /h]	7,5	6,3	106,6	101,7	93,6	66,2	50,1	29,4	16,5
	Feed air consumption [Nm ³ /h]			223,8	218,7	201,3	185,4	185,2	146,9	94,9
N-GEN 80	N ₂ flow [Nm ³ /h]	7,5	6,3	118,8	113,4	104,4	73,8	55,8	32,8	18,4
	Feed air consumption [Nm ³ /h]			249,5	243,8	224,5	206,6	206,5	163,8	105,8
N-GEN 100	N ₂ flow [Nm ³ /h]	7,5	6,3	178,2	170,1	156,6	110,7	83,7	49,2	27,5
	Feed air consumption [Nm ³ /h]			374,3	365,8	336,8	310,0	309,8	245,8	158,7
N-GEN 150	N ₂ flow [Nm ³ /h]	7,5	6,3	273,9	261,4	240,7	170,1	128,6	75,5	42,3
	Feed air consumption [Nm ³ /h]			575,2	562,1	517,5	476,4	476,0	377,7	243,8
N-GEN 200	N ₂ flow [Nm ³ /h]	7,5	6,3	344,3	328,6	302,5	213,9	161,7	94,9	53,2
	Feed air consumption [Nm ³ /h]			723,0	706,5	650,5	598,8	598,3	474,7	306,5
N-GEN 250	N ₂ flow [Nm ³ /h]	7,5	6,3	419,2	400,2	368,4	260,4	196,9	115,6	64,8
	Feed air consumption [Nm ³ /h]			880,4	860,4	792,1	792,2	728,6	578,0	373,2
N-GEN 300	N ₂ flow [Nm ³ /h]	7,5	6,3	534,6	510,3	469,8	332,1	251,1	147,4	82,6
	Feed air consumption [Nm ³ /h]			1.122,7	1.097,1	1.010,1	929,9	929,1	737,1	475,9

All flow rates refers to all compressed air temperature 30 °C and 7,5 barg ± performance 5 %.



N-GEN

SERVICE KITS

Service kit - 12/24/36/60 months

- filter elements
- silencers

Service kit - 72 months

- filter elements
- silencers
- valve set
- adsorbent
- gaskets

SERVICE KITS		PG/9
SERVICE KIT TYPE	CODE	Gross price EUR
EVERY 12 MONTHS/2.500 H KIT SERVICE KITS		
N-GEN 03-15/12	12001016	179,61
N-GEN 20-50/12	12001017	209,21
N-GEN 65-80/12	12000743	282,79
N-GEN 100-150/12	12000744	316,96
N-GEN 200-300/12	12000745	437,23

SERVICE KITS		PG/9
SERVICE KIT TYPE	CODE	Gross price EUR
72 MONTH KITS		
N-GEN 03/72	12000746	5.932,89
N-GEN 05/72	12000747	6.047,25
N-GEN 10/72	12000748	7.567,47
N-GEN 15/72	12000749	8.838,79
N-GEN 20/72	12000750	11.737,97
N-GEN 25/72	12000751	14.697,69
N-GEN 35/72	12000752	20.691,11
N-GEN 50/72	12000753	25.500,66
N-GEN 65/72	12000754	33.834,96
N-GEN 80/72	12001548	43.559,85
N-GEN 100/72	12000755	53.248,02
N-GEN 150/72	12000756	73.542,27
N-GEN 200/72	12000757	92.363,40
N-GEN 250/72	12000758	118.341,65
N-GEN 300/72	12000759	154.012,99

ADDITIONAL EQUIPMENT		PG/9
Type	CODE	Gross price EUR
Oxygen analyzer: 0 - 1.000 ppm (inert gas purity 99,9 % and higher)	12002744	4.641,37
Oxygen analyzer: 0 - 25 % (inert gas purity up to 99,5 %)	12002743	4.020,12
N ₂ flow meter: 0 - 54 m ³ /h	4001059	2.043,89
N ₂ flow meter: 0 - 186 m ³ /h	4001061	3.027,67
N ₂ flow meter: 4 - 1.000 m ³ /h	4000815	3.881,27
Temperature transmitter	12000924	706,19
Inlet pressure transmitter OS 16	4000824	317,38
Interface KTP 400 Basic (4" display)	5010512	1.849,83
Interface KTP 700 Basic (7" display)	5010534	2.950,48
Dew point sensor Easidew	2505872	1.794,47
Off-spec valve: 0 - 50 Nm ³ /h	4001090	1.554,30
Off-spec valve: 50 - 250 Nm ³ /h	4001147	2.586,16
Off-spec valve: 250 - 1.000 Nm ³ /h	4001040	3.748,63
Multi purity kit MP3: <60 m ³ /h	4001266	1.369,26
Multi purity kit MP3: 60 - 200 m ³ /h	4001316	2.168,76

* Controller has 3 free connections 4 to 20 mA + 1 RTD.

NOTE:

Standard communication protocol is Modbus TCP/IP. On request Profinet TCP/IP or can be implemented.

AFTERMARKET SERVICE		PG/9
Type	CODE	Gross price EUR
Testing in presence of customer	1058	672,67 (net price)
Coming on site (excluding transport costs)	1059	1.076,26/day (net price)

NM-GEN

MEMBRANE NITROGEN GENERATORS

operating pressure

5-16 bar**NM-GENm 1-9****NM-GEN 18-73****INCLUDED**

- One super fine coalescent pre-filter and one activated carbon filter.

TECHNICAL DATA & PRICES										PG/9
Model	Connection			Dimensions			Mass kg	No. of membranes pcs	CODE	Gross Price EUR
	In "	Out "	Purge "	Height mm	Width mm	Depth mm				
NM-GENm 1	1/2	1/2	1/2	1.309	340	477	65	1	2003644	10.462,40
NM-GENm 2	1/2	1/2	1/2	1.309	340	477	70	1	2003645	12.833,60
NM-GENm 5	1	1	1	2.025	588	575	150	1	2003646	17.347,20
NM-GENm 9	1	1	1	2.025	588	575	155	1	2003647	32.396,00
NM-GEN 18	DN50	DN50	DN50	2.117	1.165	1.356	350	2	2003648	62.868,00
NM-GEN 27	DN50	DN50	DN50	2.117	1.165	1.356	370	3	2003649	90.979,20
NM-GEN 36	DN50	DN50	DN50	2.117	1.165	1.356	390	4	2003650	103.615,20
NM-GEN 45	DN50	DN50	DN50	2.117	1.165	1.850	540	5	2003651	122.532,80
NM-GEN 55	DN50	DN50	DN50	2.117	1.165	1.850	560	6	2003652	136.021,60
NM-GEN 64	DN50	DN50	DN50	2.117	1.165	1.850	580	7	2003653	148.647,20
NM-GEN 73	DN50	DN50	DN50	2.117	1.165	1.850	600	8	2003654	161.283,20



NM-GEN SERVICE KITS

Service kit - 12 months

- filter elements

SERVICE KITS		PG/9
SERVICE KIT TYPE	CODE	Gross price EUR
EVERY 12 MONTHS		
NM-GENm 1-2 /12	3404085	71,28
NM-GENm 5-9 /12	3404086	115,50
NM-GEN 18-73 /12	3404087	360,07

ADDITIONAL EQUIPMENT		PG/9
Type	CODE	Gross price EUR
Oxygen analyzer (box) 0 - 25 %	2001917	4.711,20
Auxiliary controller for monitoring*	/	9.464,00
N ₂ flow meter: 0 - 54 m ³ /h (NM-GENm)	4001059	2.043,89
N ₂ flow meter: 0 - 186 m ³ /h (NM-GENm)	4001061	3.027,67
N ₂ flow meter (NM-GEN 18-73)	4001196	4.965,89
Temperature transmitter	12000924	706,19
Pressure transmitter	4000824	317,38
Dew point sensor Easidew	2505872	1.794,47

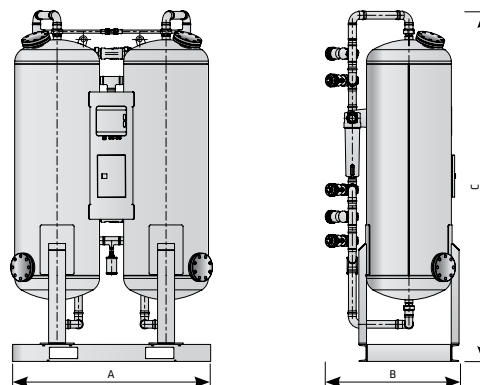
* Only for NM-GENm 1 - 9. On NM-GEN 18 - 73 equipment is connected to the main integrated controller.

AFTERMARKET SERVICE		PG/9
Type	CODE	Gross price EUR
Testing in presence of customer	1058	672,67 (net price)
Coming on site (excluding transport costs)	1059	1.076,26/day (net price)

O-GEN

PSA OXYGEN GENERATORS

operating pressure

5-6 bar**INCLUDED**

- pre-filter with automatic drain AOK 16B and manometer PDI 16 (O-GEN 01-64),
- after-filter with manual drain MCDIs,
- controller without external interface, with control lamps and switches.

TECHNICAL DATA & PRICES								PG/9
Model	Connection		Dimensions			Mass kg	CODE	Gross Price EUR
	In "	Out "	L mm	B mm	H mm			
O-GEN 01	1/2	1/2	1.126	550	1.760	191	12001165	16.803,13
O-GEN 02	1/2	1/2	1.100	550	1.647	230	12001166	18.915,29
O-GEN 03	1/2	1/2	1.102	550	1.779	300	12001169	19.534,14
O-GEN 04	1/2	1/2	1.073	550	1.942	330	12001171	20.946,73
O-GEN 05	1/2	1/2	1.240	760	2.068	580	12001172	23.919,91
O-GEN 06	1/2	1/2	1.370	760	2.081	615	12001175	26.435,67
O-GEN 08	1/2	1/2	1.370	760	2.092	715	12001177	30.088,24
O-GEN 10	1	1/2	1.446	760	2.140	875	12001179	36.761,05
O-GEN 13	2	1/2	1.728	860	2.204	1.175	12001475	43.306,08
O-GEN 16	2	1/2	1.736	860	2.354	1.255	12001477	46.615,57
O-GEN 20	2	1/2	1.801	910	2.256	1.470	12001211	51.795,08
O-GEN 23	2	1/2	1.830	1.010	2.263	1.670	12001479	57.028,40
O-GEN 29	2	1/2	1.916	1.010	2.314	1.955	12001482	67.589,20
O-GEN 35	2	1	2.060	1.180	2.436	2.560	12001484	75.096,13
O-GEN 44	2	1	2.293	1.325	2.508	3.055	12001339	87.109,89
O-GEN 50	2	1	2.603	1.425	2.539	4.130	12001487	90.809,54
O-GEN 57	2	1	2.603	1.425	2.588	4.225	12001490	97.536,18
O-GEN 64	2	1	2.815	1.630	2.546	4.780	12001493	104.262,82

CORRECTION FACTORS FOR COMPRESSED AIR TEMPERATURE

Compressed air temperature [°C]	10	15	20	25	30	35	40	45	50	55
Correction factor	0,92	0,97	1	1	1	1	0,96	0,88	0,79	0,67

PERFORMANCE

Type		Inlet pressure barg	Discharge pressure barg	Oxygen purity [%]		
				90	93	95
O-GEN 1	O ₂ flow [Nm ³ /h]	6	4,8	1,16	1,11	1,06
	Feed air consumption [Nm ³ /h]			15,1	14,9	14,8
O-GEN 2	O ₂ flow [Nm ³ /h]	6	4,8	1,8	1,72	1,64
	Feed air consumption [Nm ³ /h]			23,4	23,2	22,9
O-GEN 3	O ₂ flow [Nm ³ /h]	6	4,8	3,15	3,01	2,87
	Feed air consumption [Nm ³ /h]			41	40,6	40,2
O-GEN 4	O ₂ flow [Nm ³ /h]	6	4,8	3,52	3,36	3,2
	Feed air consumption [Nm ³ /h]			45,8	45,3	44,8
O-GEN 5	O ₂ flow [Nm ³ /h]	6	4,8	5,28	5,04	4,8
	Feed air consumption [Nm ³ /h]			68,6	68	67,3
O-GEN 6	O ₂ flow [Nm ³ /h]	6	4,8	6,64	6,34	6,04
	Feed air consumption [Nm ³ /h]			86,3	85,5	84,6
O-GEN 8	O ₂ flow [Nm ³ /h]	6	4,8	8,64	8,25	7,86
	Feed air consumption [Nm ³ /h]			112,3	111,2	110,1
O-GEN 10	O ₂ flow [Nm ³ /h]	6	4,8	11,04	10,54	10,05
	Feed air consumption [Nm ³ /h]			143,5	142,1	140,6
O-GEN 13	O ₂ flow [Nm ³ /h]	6	4,8	13,68	13,06	12,45
	Feed air consumption [Nm ³ /h]			177,8	176,1	174,3
O-GEN 16	O ₂ flow [Nm ³ /h]	6	4,8	15,2	14,52	13,83
	Feed air consumption [Nm ³ /h]			197,6	195,6	193,6
O-GEN 20	O ₂ flow [Nm ³ /h]	6	4,8	19,84	18,95	18,05
	Feed air consumption [Nm ³ /h]			257,9	255,3	252,8
O-GEN 23	O ₂ flow [Nm ³ /h]	6	4,8	23	21,97	20,93
	Feed air consumption [Nm ³ /h]			299	296	293
O-GEN 29	O ₂ flow [Nm ³ /h]	6	4,8	26,56	25,36	24,17
	Feed air consumption [Nm ³ /h]			345,3	341,8	338,4
O-GEN 35	O ₂ flow [Nm ³ /h]	6	4,8	35,52	33,92	32,32
	Feed air consumption [Nm ³ /h]			461,8	457,1	452,5
O-GEN 44	O ₂ flow [Nm ³ /h]	6	4,8	45,44	43,4	41,35
	Feed air consumption [Nm ³ /h]			590,7	584,8	578,9
O-GEN 50	O ₂ flow [Nm ³ /h]	6	4,8	57,6	55,01	52,42
	Feed air consumption [Nm ³ /h]			748,8	741,3	733,8
O-GEN 57	O ₂ flow [Nm ³ /h]	6	4,8	59,6	56,92	54,24
	Feed air consumption [Nm ³ /h]			774,8	767,1	759,3
O-GEN 64	O ₂ flow [Nm ³ /h]	6	4,8	68,72	65,63	62,54
	Feed air consumption [Nm ³ /h]			893,4	884,4	875,5

All flow rates valid for generator operation at compressed air temperature max 30 °C.
Performance ±5 %.



O-GEN SERVICE KITS

Service kit - 12/24/36/60 months

- filter elements
- silencers

Service kit - 72 months

- filter elements
- silencers
- valve set
- adsorbent
- gaskets

SERVICE KITS		PG/9
SERVICE KIT TYPE	CODE	Gross price EUR
EVERY 12 MONTHS/2.500 H KIT SERVICE KITS		
O-GEN 01-08/12	12000782	205,17
O-GEN 10/12	12000783	228,04
O-GEN 13-29/12	12000784	282,79
O-GEN 35-64/12	12000785	396,20

SERVICE KITS		PG/9
SERVICE KIT TYPE	CODE	Gross price EUR
72 MONTH KITS		
O-GEN 01/72	12000788	4.675,02
O-GEN 02/72	12000789	5.233,32
O-GEN 03/72	12000790	6.060,70
O-GEN 04/72	12000791	6.585,37
O-GEN 05/72	12000792	7.735,62
O-GEN 06/72	12000793	8.751,35
O-GEN 08/72	12000794	10.056,33
O-GEN 10/72	12000795	12.726,79
O-GEN 13/72	12000796	14.563,16
O-GEN 16/72	12000797	17.247,09
O-GEN 20/72	12000798	20.415,32
O-GEN 23/72	12000799	22.917,64
O-GEN 29/72	12000800	28.056,78
O-GEN 35/72	12000801	34.352,93
O-GEN 44/72	12000802	39.061,56
O-GEN 50/72	12000803	42.485,41
O-GEN 57/72	12000804	45.539,31
O-GEN 64/72	12000805	48.599,92

ADDITIONAL EQUIPMENT		PG/9
Type	CODE	Gross price EUR
Oxygen analyzer: 0 - 96 %	12002745	4.641,37
O ₂ flow meter: 0 - 60 m ³ /h	4001111	2.043,89
O ₂ flow meter: 0 - 210 m ³ /h	4001113	3.027,67
Temperature transmitter	12000924	706,19
Inlet pressure transmitter 05 16	4000824	317,38
Interface KTP 400 Basic (4" display)	5010512	1.849,83
Interface KTP 700 Basic (7" display)	5010534	2.950,48
Dew point sensor Easidew	2505872	1.794,47
Off-spec valve: 0 - 50 Nm ³ /h	4001090	1.554,30
Off-spec valve: 50 - 250 Nm ³ /h	4001147	2.586,16
Off-spec valve: 250 - 1.000 Nm ³ /h	4001040	3.748,63

* Controller has 3 free connections 4 to 20 mA + 1 RTD.

NOTE:



Standard communication protocol is Modbus TCP/IP. On request Profinet TCP/IP or can be implemented.

AFTERMARKET SERVICE		PG/9
Type	CODE	Gross price EUR
Testing in presence of customer	1058	672,67 (net price)
Coming on site (excluding transport costs)	1059	1.076,26/day (net price)





















OS

MEASURING EQUIPMENT

DISPLAY & DATA LOGGER
PG/9

OS 331 Data logger  Code: 4000860 Gross Price: 2.882,86 EUR	OS 331 Data logger with 2 additional analog inputs  Code: 4000951 Gross Price: 3.292,60 EUR
--	--

FLOW / CONSUMPTION
PG/9

OS 401 Analog output  Code: 4001195 Gross Price: 4.965,89 EUR	OS 401 Modbus RTU output  Code: 4001196 Gross Price: 4.965,89 EUR	OS 421 Analog output G 1/2"  Code: 4001199 Gross Price: 2.348,00 EUR	OS 421 Modbus RTU output G 1/2"  Code: 4001201 Gross Price: 2.348,00 EUR	OS 421 Analog output G 3/4"  Code: 4001202 Gross Price: 2.356,58 EUR
OS 421 Modbus RTU output G 3/4"  Code: 4001204 Gross Price: 2.356,58 EUR	OS 421 Analog output G 1"  Code: 4001205 Gross Price: 2.368,02 EUR	OS 421 Modbus RTU output G 1"  Code: 4001207 Gross Price: 2.368,02 EUR	OS 421 Analog output G 5/4"  Code: 4001209 Gross Price: 2.373,75 EUR	OS 421 Modbus RTU output G 5/4"  Code: 4001211 Gross Price: 2.373,75 EUR
OS 421 Analog output G 6/4"  Code: 4001212 Gross Price: 2.430,92 EUR	OS 421 Modbus RTU output G 6/4"  Code: 4001214 Gross Price: 2.430,92 EUR	OS 421 Analog output G 2"  Code: 4001215 Gross Price: 2.485,25 EUR	OS 421 Modbus RTU output G 2"  Code: 4001217 Gross Price: 2.485,25 EUR	OS 421 Analog output G 2 1/2"  Code: 4001218 Gross Price: 2.765,45 EUR
OS 421 Modbus RTU output G 2 1/2"  Code: 4001218 Gross Price: 2.765,45 EUR	OS 421 Analog output G 3"  Code: 4001221 Gross Price: 2.779,74 EUR	OS 421 Modbus RTU output G 3"  Code: 4001223 Gross Price: 2.779,74 EUR	OS 415 Analog output G 1/4"  Code: 4001105 Gross Price: 914,96 EUR	OS 415 Modbus RTU output G 1/4"  Code: 4001130 Gross Price: 914,96 EUR



OS 415 Analog output G 1/2" Code: 4001106 Gross Price: 969,29 EUR	OS 415 Modbus RTU output G 1/2" Code: 4001131 Gross Price: 969,29 EUR	OS 415 Analog output G 3/4" Code: 4001107 Gross Price: 995,02 EUR	OS 415 Modbus RTU output G 3/4" Code: 4001132 Gross Price: 995,02 EUR	OS 415 Analog output G 1" Code: 4001108 Gross Price: 1.020,75 EUR
---	---	---	---	---

OS 415 Modbus RTU output G 1" Code: 4001133 Gross Price: 1.020,75 EUR	OS 430 Analog output Code: 4001087 Gross Price: 6.644,08 EUR	OS 430 Modbus RTU output Code: 4000923 Gross Price: 6.644,08 EUR
---	--	--

DEW POINT
PG/9

OS 211 Code: 4000837 Gross Price: 1.467,19 EUR	OS 215 Code: 4000803 Gross Price: 1.170,32 EUR	OS 220 Code: 4000802 Gross Price: 2.244,66 EUR	OS MC Measuring chamber for OS 215 & OS 220 Code: 2505628 Gross Price: 184,02 EUR	OS 305 -50/+20 Code: 4001053 Gross Price: 1.977,52 EUR
---	---	---	---	--

OS 305 -20/+50 Code: 4000995 Gross Price: 1.643,86 EUR	OS 520 A Code: 4001275 Gross Price: 5.387,90 EUR	OS 520 B Code: 4001276 Gross Price: 4.460,47 EUR	OS 520 A+ Code: 4001277 Gross Price: 6.766,76 EUR
--	---	---	--

PRESSURE
PG/9

OS 16 Analog output Code: 4000824 Gross Price: 317,38 EUR	OS 16 Modbus RTU output Code: 4001183 Gross Price: 397,44 EUR	OS 40 Analog output Code: 4000825 Gross Price: 451,78 EUR	OS 40 Modbus RTU output Code: 4001184 Gross Price: 437,47 EUR
---	---	---	---

LEAKAGE PG/9	<p>OS 531 portable leak detector for pressurized systems</p>  <p>Code: 4001124 Gross Price: 7.164,23 EUR</p>				
	AIR QUALITY, PURITY & SYSTEM PERFORMANCE PG/9	<p>OS 120 oil sensor</p>  <p>Code: 4001009 Gross Price: 16.465,45 EUR</p>	<p>OS 130 laser particle counter</p>  <p>Code: 4001114 Gross Price: 12.980,95 EUR</p>	<p>OS 132 laser particle counter</p>  <p>Code: 4001154 Gross Price: 32.566,76 EUR</p>	<p>OS 600 set portable compressed air purity analyzer</p>  <p>Code: 4000976 Gross Price: 59.146,27 EUR</p>
<p>OS 601-B stationary compressed air purity analyzer</p>  <p>Code: 4001239 Gross Price: 49.916,21 EUR</p>		<p>OS 601-C stationary compressed air purity analyzer</p>  <p>Code: 4001240 Gross Price: 26.333,13 EUR</p>	<p>OS 601-D stationary compressed air purity analyzer</p>  <p>Code: 4001241 Gross Price: 36.966,64 EUR</p>	<p>OS 551-P4 set portable data logger, sensors: flow, dew point, pressure</p>  <p>Code: 4001242 Gross Price: 15.298,21 EUR</p>	<p>OS 551-P6 set portable data logger, sensors: flow, dew point, pressure</p>  <p>Code: 4001243 Gross Price: 14.942,03 EUR</p>



OMEGA AIR

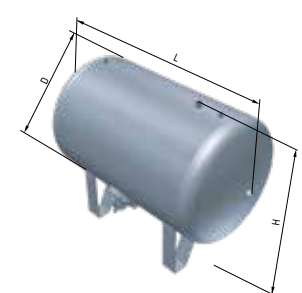
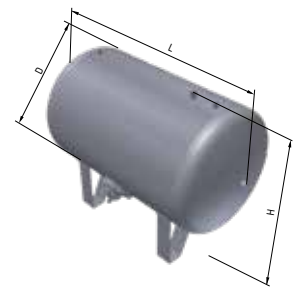
more than air

PV

PRESSURE VESSELS - LOW PRESSURE

operating pressure
11 bar

TECHNICAL DATA & PRICES													PG/9			
Model	Volume l	Max. pressure bar	Connections number and dimensions								Dimensions			Mass kg	CODE	Gross price EUR
			3/8"	1/2"	3/4"	1"	1 1/4"	1 1/2"	2"	3"	4"	H	D			
PRESSURE VESSELS - VERTICAL - PAINTED																
PV 50 V 11 P	50	11	1	3	-	-	-	-	-	-	926	300	-	19	2058777	368,83
PV 100 V 11 P	100	11	1	1	4	-	-	-	-	-	1153	370	-	28	2058778	592,72
PV 150 V 11 P	150	11	1	1	-	1	-	-	-	-	1.364	400	-	43	2058916	854,46
PV 200 V 11 P	200	11	1	-	3	-	-	-	2	-	1.530	430	-	50	2059230	947,48
PV 270 V 11 P	270	11	1	-	3	-	-	-	2	-	1.685	500	-	60	2058770	964,79
PV 500 V 11 P	500	11	1	-	1	-	2	2	-	-	2.077	600	-	130	2058771	1.425,55
PV 725 V 11 P	725	11	1	-	1	-	2	2	-	-	1.863	790	-	167	2058772	2.109,12
PV 900 V 11 P	900	11	1	-	1	-	2	2	-	-	2.213	790	-	186	2059311	2.432,52
PV 1000 V 11 P	1.000	11	1	-	1	-	2	2	-	-	2.345	790	-	204	2058773	2.495,25
PV 1500 V 11 P	1.500	11	1	-	1	-	2	2	-	-	2.305	1.000	-	278	2058806	4.117,65
PV 2000 V 11 P	2.000	11	1	-	1	-	2	2	-	-	2.805	1.000	-	352	2058774	4.663,86
PV 3000 V 11 P	3.000	11	1	-	1	-	2	-	2	-	2.965	1.300	-	537	2059365	7.326,76
PV 4000 V 11 P	4.000	11	1	-	1	-	2	-	2	-	3.070	1.450	-	802	2058930	13.760,12
PV 5000 V 11 P	5.000	11	1	-	1	-	2	-	2	-	3.570	1.450	-	932	2059312	15.439,84
PV 6000 V 11 P	6.000	11	1	-	1	-	2	-	2	-	4.070	1.450	-	1.057	2059313	17.147,69
PV 8000 V 11 P	8.000	11	1	-	-	-	2	-	-	2	4.135	1.650	-	1.352	2059314	25.411,11
PV 10000 V 11 P	10.000	11	1	-	-	-	2	-	-	2	5.135	1.650	-	1.694	2059315	28.053,46
PRESSURE VESSELS - VERTICAL - GALVANIZED																
PV 50 V 11 G	50	11	1	2	-	1	-	-	-	-	926	300	-	19	2056855	613,27
PV 100 V 11 G	100	11	1	-	4	-	-	-	1	-	1.153	370	-	28	2056856	829,59
PV 150 V 11 G	150	11	1	-	-	4	-	-	1	-	1.364	400	-	43	2056857	1.141,09
PV 200 V 11 G	200	11	1	-	3	-	-	-	2	-	1.530	430	-	50	2056298	1.146,50
PV 270 V 11 G	270	11	1	-	3	-	-	-	2	-	1.685	500	-	60	2056299	1.253,57
PV 500 V 11 G	500	11	1	-	1	-	2	2	-	-	2.077	600	-	130	2056300	1.962,02
PV 725 V 11 G	725	11	1	-	1	-	2	2	-	-	1.863	790	-	167	2056301	2.762,41
PV 900 V 11 G	900	11	1	-	1	-	2	2	-	-	2.213	790	-	186	2056302	3.322,68
PV 1000 V 11 G	1.000	11	1	-	1	-	2	2	-	-	2.345	790	-	204	2056303	3.484,92
PV 1500 V 11 G	1.500	11	1	-	1	-	2	2	-	-	2.305	1.000	-	278	2056304	5.790,89
PV 2000 V 11 G	2.000	11	1	-	1	-	2	2	-	-	2.805	1.000	-	352	2056305	6.361,97
PV 3000 V 11 G	3.000	11	1	-	1	-	2	-	2	-	2.965	1.300	-	537	2056306	10.435,28
PV 4000 V 11 G	4.000	11	1	-	1	-	2	-	2	-	3.070	1.450	-	802	2056307	18.979,92
PV 5000 V 11 G	5.000	11	1	-	1	-	2	-	2	-	3.570	1.450	-	932	2056308	20.802,41
PV 6000 V 11 G	6.000	11	1	-	1	-	2	-	2	-	4.070	1.450	-	1.057	2056309	23.910,93
PV 8000 V 11 G	8.000	11	1	-	-	-	2	-	-	2	4.135	1.650	-	1.352	2056310	32.989,88
PV 10000 V 11 G	10.000	11	1	-	-	-	2	-	-	2	5.135	1.650	-	1.694	2056311	37.311,96
PRESSURE VESSELS - HORIZONTAL - PAINTED																
PV 50 H 11 P	50	11	1	1	-	-	-	-	-	-	352	300	774	19	2058779	429,40
PV 100 H 11 P	100	11	2	2	1	-	-	-	-	-	447	370	1.010	28	2059310	653,29
PV 150 H 11 P	150	11	2	2	1	-	-	-	-	-	470	400	1.224	43	2058917	915,03
PV 500 H 11 P	500	11	1	2	-	1	-	-	-	-	670	600	1.860	140	2059316	1.518,57
PV 900 H 11 P	900	11	1	-	-	-	-	-	4	-	905	790	1.970	195	2059317	2.552,58
PV 1000 H 11 P	1.000	11	2	-	2	1	-	-	-	-	905	790	2.180	210	2059318	2.891,12
PV 1500 H 11 P	1.500	11	1	-	1	-	-	-	4	-	1.160	1.000	2.160	278	2059319	5.374,47
PV 2000 H 11 P	2.000	11	1	-	1	-	-	-	4	-	1.160	1.000	2.660	352	2059320	5.932,58
PV 3000 H 11 P	3.000	11	1	-	1	-	-	-	4	-	1.340	1.200	2.815	537	2059321	8.534,91
PV 4000 H 11 P	4.000	11	1	-	1	-	-	-	4	-	1.620	1.450	1.920	802	2059322	15.013,69
PV 5000 H 11 P	5.000	11	1	-	1	-	-	-	4	-	1.620	1.450	3.420	932	2059323	16.691,25
PV 6000 H 11 P	6.000	11	1	-	1	-	-	-	4	-	1.620	1.450	3.920	1.057	2059324	18.756,03
PV 8000 H 11 P	8.000	11	1	-	1	-	-	-	4	-	1.790	1.650	4.025	1.352	2059325	26.998,90
PV 10000 H 11 P	10.000	11	1	-	1	-	-	-	4	-	1.790	1.650	5.025	1.694	2059326	29.701,82
PRESSURE VESSELS - HORIZONTAL - GALVANIZED																
PV 50 H 11 G	50	11	1	-	1	-	-	-	-	-	352	300	774	19	2056861	674,92
PV 100 H 11 G	100	11	2	1	1	-	-	-	1	-	447	370	1.010	28	2056862	890,16
PV 150 H 11 G	150	11	2	1	1	-	-	-	1	-	470	400	1.224	43	2056863	1.201,66
PV 500 H 11 G	500	11	1	2	-	1	-	-	-	-	670	600	1.860	140	2056323	2.059,37
PV 900 H 11 G	900	11	1	-	-	-	-	-	4	-	905	790	1.970	195	2056324	3.511,96
PV 1000 H 11 G	1.000	11	2	-	2	1	-	-	-	-	905	790	2.180	210	2056325	3.752,07
PV 1500 H 11 G	1.500	11	1	-	1	-	-	-	4	-	1.160	1.000	2.160	278	2056326	6.994,71
PV 2000 H 11 G	2.000	11	1	-	1	-	-	-	4	-	1.160	1.000	2.660	352	2056327	7.565,79
PV 3000 H 11 G	3.000	11	1	-	1	-	-	-	4	-	1.340	1.200	2.815	537	2056328	11.639,10
PV 4000 H 11 G	4.000	11	1	-	1	-	-	-	4	-	1.620	1.450	1.920	802	2056329	20.201,04
PV 5000 H 11 G	5.000	11	1	-	1	-	-	-	4	-	1.620	1.450	3.420	932	2056330	22.008,40
PV 6000 H 11 G	6.000	11	1	-	1	-	-	-	4	-	1.620	1.450	3.920	1.057	2056331	25.458,70
PV 8000 H 11 G	8.000	11	1	-	1	-	-	-	4	-	1.790	1.650	4.025	1.352	2056332	34.260,76
PV 10000 H 11 G	10.000	11	1	-	1	-	-	-	4	-	1.790	1.650	5.025	1.694	2056333	38.930,03



For any non standard pressure vessel (based on operating media, design pressure, design temperature, standard ...) please contact producer or your local distributor.

HPV

PRESSURE VESSELS - HIGH PRESSURE

operating pressure

up to **48** bar

TECHNICAL DATA & PRICES													PG/9			
Model painted	CODE	Gross price EUR	Model galvanized	CODE	Gross price EUR	Volume l	Max. pressure bar	Connections number and dimensions						Dimensions		Mass kg
								1/4	3/8	3/4	1 1/4	2	3	H	D	
16 bar - HIGH PRESSURE VESSELS - VERTICAL																
HPV 500 V 16 P	2059178	1.859,27	HPV 500 V 16 G	2059004	2.537,43	500	16	-	1	1	2	2	-	2.120	600	160
HPV 1000 V 16 P	2059141	3.158,27	HPV 1000 V 16 G	2059005	4.467,01	1.000	16	-	1	1	2	2	-	2.365	790	280
HPV 1500 V 16 P	2059327	5.307,41	HPV 1500 V 16 G	2059006	7.340,82	1.500	16	-	1	1	-	4	-	2.310	1.000	405
HPV 2000 V 16 P	2059328	6.174,85	HPV 2000 V 16 G	2059007	8.206,10	2.000	16	-	1	1	-	4	-	2.810	1.000	490
HPV 3000 V 16 P	2059329	9.639,22	HPV 3000 V 16 G	2059008	12.254,53	3.000	16	-	1	1	-	2	2	2.965	1.200	620
HPV 4000 V 16 P	2059330	17.321,82	HPV 4000 V 16 G	2059009	24.967,65	4.000	16	-	1	1	-	2	2	3.110	1.430	905
HPV 5000 V 16 P	2059331	19.029,67	HPV 5000 V 16 G	2059010	27.365,56	5.000	16	-	1	1	-	2	2	3.610	1.430	1.055
21 bar - HIGH PRESSURE VESSELS - VERTICAL																
HPV 475 V 21 P	2059332	3.173,41	HPV 475 V 21 G	2059083	4.186,87	475	21	-	1	1	2	2	-	2.135	600	220
HPV 1000 V 21 P	2059333	8.747,98	HPV 1000 V 21 G	2059084	10.504,50	1.000	21	-	1	1	-	4	-	2.385	790	352
HPV 1500 V 21 P	2059334	11.699,67	HPV 1500 V 21 G	2059085	14.444,77	1.500	21	-	1	1	-	4	-	2.470	1.000	555
HPV 2000 V 21 P	2059335	11.971,15	HPV 2000 V 21 G	2059086	15.512,31	2.000	21	-	1	1	-	4	-	2.810	1.000	715
HPV 3000 V 21 P	2059336	16.468,44	HPV 3000 V 21 G	2059087	21.198,28	3.000	21	-	1	1	-	4	-	2.950	1.200	950
HPV 4000 V 21 P	2059337	31.138,18	HPV 4000 V 21 G	2059088	36.806,85	4.000	21	-	1	1	-	4	-	3.130	1.430	1.400
HPV 5000 V 21 P	2059338	34.344,04	HPV 5000 V 21 G	2059089	41.824,39	5.000	21	-	1	1	-	4	-	3.630	1.430	1.750
32 bar - HIGH PRESSURE VESSELS - VERTICAL																
HPV 500 V 32 P	2059339	7.580,93	HPV 475 V 32 G	2059032	8.737,16	500	32	-	1	1	-	4	-	2.140	600	245
HPV 1000 V 32 P	2059340	12.813,72	HPV 1000 V 32 G	2059033	15.694,02	1.000	32	-	1	1	-	4	-	2.390	790	505
HPV 1500 V 32 P	2059341	17.853,97	HPV 1500 V 32 G	2059034	21.483,82	1.500	32	-	1	1	-	4	-	2.500	1.000	710
HPV 2000 V 32 P	2059342	20.080,99	HPV 2000 V 32 G	2059035	24.531,77	2.000	32	-	1	1	-	4	-	2.850	1.000	875
HPV 3000 V 32 P	2059343	26.783,66	HPV 3000 V 32 G	2059036	31.437,79	3.000	32	-	1	1	-	4	-	2.950	1.200	1.170
HPV 4000 V 32 P	2059344	42.674,53	HPV 4000 V 32 G	2059037	50.055,37	4.000	32	-	1	1	-	4	-	3.100	1.430	1.700
HPV 5000 V 32 P	2059345	45.972,33	HPV 5000 V 32 G	2059038	54.595,92	5.000	32	-	1	1	-	4	-	3.600	1.430	1.950
42 bar - HIGH PRESSURE VESSELS - VERTICAL																
HPV 500 V 42 P	2059346	7.959,49	HPV 500 V 42 G	2059046	9.173,05	500	42	-	1	1	-	4	-	2.135	600	340
HPV 1000 V 42 P	2059347	15.037,48	HPV 1000 V 42 G	2059047	18.189,27	1.000	42	-	1	1	-	4	-	2.385	790	605
HPV 1500 V 42 P	2059348	20.616,38	HPV 1500 V 42 G	2059048	24.503,65	1.500	42	-	1	1	-	4	-	2.470	1.000	755
HPV 2000 V 42 P	2059349	22.429,14	HPV 2000 V 42 G	2059049	27.675,98	2.000	42	-	1	1	-	4	-	2.810	1.000	1.025
HPV 3000 V 42 P	2059350	29.867,30	HPV 3000 V 42 G	2059050	36.117,87	3.000	42	-	1	1	-	4	-	2.950	1.200	1.450
HPV 4000 V 42 P	2059351	49.684,38	HPV 4000 V 42 G	2059051	59.864,40	4.000	42	-	1	1	-	4	-	3.130	1.430	2.190
HPV 5000 V 42 P	2059352	55.780,28	HPV 5000 V 42 G	2059052	67.627,04	5.000	42	-	1	1	-	4	-	3.630	1.430	2.515
48 bar - HIGH PRESSURE VESSELS - VERTICAL																
HPV 1000 V 48 P	2059353	18.349,34	HPV 1000 V 48 G	2059060	22.186,86	790	48	-	1	1	-	4	-	2.400	790	725
HPV 2000 V 48 P	2059354	31.609,76	HPV 2000 V 48 G	2059061	37.052,37	1.000	48	-	1	1	-	4	-	2.810	1.000	1.195
HPV 3000 V 48 P	2059355	41.521,54	HPV 3000 V 48 G	2059062	49.113,29	1.200	48	-	1	1	-	4	-	2.970	1.200	1.685



PV/HPV SK

EQUIPMENT FOR PRESSURE VESSELS/HIGH PRESSURE VESSELS

operating pressure

16 bar

Model	Pressure	CODE	Gross price
			EUR
PV SK 50-150*	11	2806349	81,02
PV SK 200-900**	11	2056368	72,47
PV SK 1000-10000	11	2056369	211,99
HPV SK 500-5000	16	2050046	236,87
HPV SK 475-5000	21	2058386	892,32
HPV SK 500-5000	32	2057348	1.249,25
HPV SK 500-5000	42	2058438	1.249,25
HPV SK 1000-3000	48	2058351	1.339,02

INCLUDED

- 1x safety valve,
- 1x manometer,
- 1x valve with pressure flange,
- 1x manual drain valve.

* 1x safety valve, 1x manometer,

** 1x safety valve, 1x manometer, 1x ball valve.

PV O₂

PRESSURE VESSELS FOR OXYGEN - LOW PRESSURE

TECHNICAL DATA & PRICES													PG/9	
Model painted	Volume l	Max. pressure bar	Connections number and dimensions							Dimensions mm		Mass kg	CODE	Gross price EUR
			3/8	1/2	3/4	1 "	1 1/4 "	1 1/2 "	2	H	D			
PV 150 V 11 O2	150	11	1	1	-	1	-	-	-	1.364	400	43	2059097	1.952,39
PV 270 V 11 O2	270	11	1	-	3	-	-	-	2	1.685	500	60	2059100	2.080,89
PV 500 V 11 O2	500	11	1	-	1	-	2	-	2	2.077	600	130	2059101	2.544,90
PV 900 V 11 O2	900	11	1	-	1	-	2	-	2	2.213	790	186	2059103	on request
PV 1000 V 11 O2	1.000	11	1	-	1	-	2	-	2	2.345	790	204	2059104	4.240,31
PV 1500 V 11 O2	1.500	11	1	-	1	-	2	-	2	2.305	1.000	278	2059105	6.795,91
PV 2000 V 11 O2	2.000	11	1	-	1	-	2	-	2	2.805	1.000	352	2059106	7.831,00

Remark:

- Vitroflex surface protection inside.



PV O₂ SK

EQUIPMENT FOR PRESSURE VESSELS FOR OXYGEN - LOW PRESSURE

Model	Pressure	CODE	Gross price
			EUR
PV SK 150-900	11	2057850	464,01
PV SK 1000-2000	11	2057856	464,01

INCLUDED

- 1x safety valve,
- 1x manometer,
- 1x valve with pressure flange,
- 1x manual drain valve.

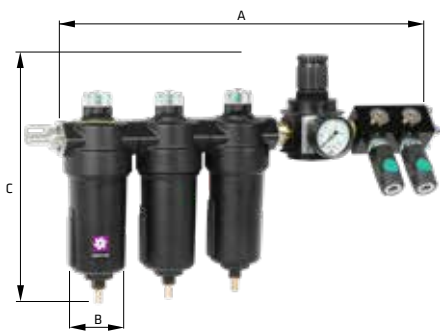


PP

PAINTING AIR FILTRATION SYSTEMS

operating pressure

16 bar



TECHNICAL DATA & PRICES													PG/9	
Model	Pipe size	Flow rate at 7 bar(g), 20 °C		Dimensions				Separator CKL-PP	Microfilter M 0,1 µm	Microfilter S 0,01 µm	Active carbon A	Quick coupling No.	CODE	Gross Price
		Nm³/h	scfm	A mm	B mm	C mm	D mm							EUR
PP-207C	1/2	78	46	440	135	290	80	✓	✓	-	-	2	12000044	1.106,16
PP-207	1/2	78	46	440	135	290	80	-	✓	✓	-	2	12000043	1.106,16
PP-307C	1/2	78	46	530	135	290	80	✓	✓	✓	-	2	12000045	1.368,64
PP-307	1/2	78	46	530	135	290	80	-	✓	✓	✓	2	3701871	1.368,64

FILTER ELEMENTS			PG/9			
Filter element type	Flow rate Nm³/h	Corresponding housing	Gross Price		Gross Price	
			EUR		EUR	
07050	78	PP-207/307	40,96		126,17	



0,1 µm	0,01 µm	0,01 µm	CKL
Ms	Ss	A	separator
microfilter	finefilter	activated carbon	
borosilicate micro fibres		borosil. micro fibres	stainless steel, PA
		activated carbon	



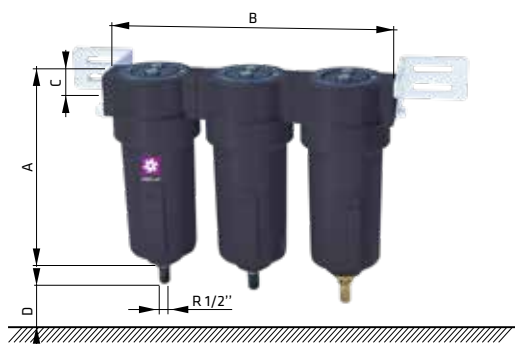
ADDITIONAL EQUIPMENT		PG/9
Type	CODE	Gross price EUR
Mobile stand		468,71

CORRECTION FACTORS																
Operating pressure [bar]	2	3	4	5	6	7	8	9	10	11	12	13	14	15	16	
Operating pressure [psi]	29	44	58	72	87	100	115	130	145	160	174	189	203	218	232	
Correction factor	0,38	0,50	0,63	0,75	0,88	1	1,13	1,25	1,38	1,50	1,63	1,75	1,88	2,00	2,13	

B-AIR

BREATHING AIR FILTRATION SYSTEMS

operating pressure
16 bar



TECHNICAL DATA & PRICES											PG/9	
B-AIR Model	Pipe size inch	Flow rate at 7 bar(g), 20 °C		Dimensions				Mass kg	Filter element type	CODE	Gross price (complete assembly) EUR	
		Nm³/h	scfm	A mm	B mm	C mm	D mm					
B-AIR 0076	1/2	78	46	190	268	21	60	3x0,47	07050	12000037	667,95	
B-AIR 0106	3/4	120	70	260	268	21	130	3x0,6	14050	12000038	699,35	
B-AIR 0186	1	198	116	262	379	37	130	3x1,57	12075	12000039	1.027,61	
B-AIR 0306	1	335	197	362	379	37	220	3x2,2	22075	12000040	1.184,61	
B-AIR 0476	1 1/2	510	300	462	379	37	320	3x2,8	32075	12000041	1.412,99	
B-AIR 0706	1 1/2	780	459	642	379	37	500	3x3,9	50075	12000042	1.841,15	

CORRECTION FACTORS															
Operating pressure [bar]	2	3	4	5	6	7	8	9	10	11	12	13	14	15	16
Operating pressure [psi]	29	44	58	72	87	100	115	130	145	160	174	189	203	218	232
Correction factor	0,38	0,50	0,63	0,75	0,88	1	1,13	1,25	1,38	1,50	1,63	1,75	1,88	2,00	2,13

Remark:
 - Prices are for complete set.
 - Set includes 3 filter housings, 3 filter elements, 2 AOK 16B condensate drains, 1 MCD drain and 1 PDI 16 differential pressure indicator.

FILTER ELEMENTS			PG/9		
			0,01 µm		
			XS finefilter	H² catalyst	A² adsorption
			borosilicate micro fibres	hopcalite	borosili. micro fibres activated carbon
Filter element type	Flow rate Nm³/h	Corresponding housing	Gross price EUR	Gross price EUR	Gross price EUR
07050	78	B-AIR 0076	35,64	118,60	103,15
14050	120	B-AIR 0106	45,87	156,59	114,02
12075	198	B-AIR 0186	57,75	192,67	144,12
22075	335	B-AIR 0306	81,49	305,48	162,07
32075	510	B-AIR 0476	98,57	423,03	177,24
50075	780	B-AIR 0706	125,73	675,39	199,65

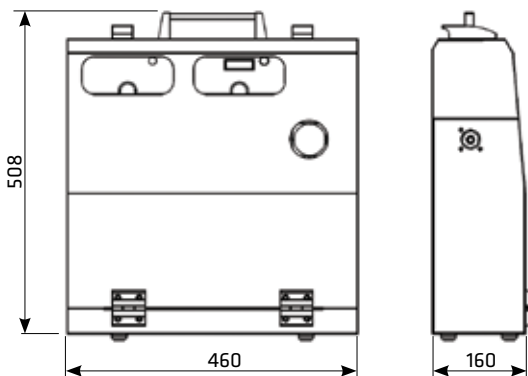
CONDENSATE DRAINS		
PG/9		
MCD	AOK 16B	
Gross Price [EUR]		12,76 34,42

DIFFERENTIAL PRESSURE INDICATORS	
PG/9	
PDI 16	
Gross Price [EUR]	
22,13	

B-AIR plus

PORTABLE BREATHING AIR FILTRATION SYSTEMS

operating pressure

16 bar

TECHNICAL DATA & PRICES						PG/9	
Model	Pipe size inch	Flow rate at 7 bar(g), 20 °C		Mass kg	Filter element type	CODE	Gross price
		Nm ³ /h	scfm				EUR
B-AIR plus	1/2	120	71	12	14050	12000001	14.547,52

CORRECTION FACTORS

Operating pressure [bar]	2	3	4	5	6	7	8	9	10	11	12	13	14	15	16
Operating pressure [psi]	29	44	58	72	87	100	115	130	145	160	174	189	203	218	232
Correction factor	0,38	0,50	0,63	0,75	0,88	1	1,13	1,25	1,38	1,50	1,63	1,75	1,88	2,00	2,13

FILTER ELEMENTS

PG/9



0,01 µm

XS
finefilterborosilicate micro
fibres

0,1 µm

H²
catalyst

hopcalite



0,1 µm

A²
adsorptionborosil. micro fibres
activated carbon

Filter element type	Flow rate Nm ³ /h	Corresponding housing	Gross price EUR	Gross price EUR	Gross price EUR
14050	120	B-AIR plus	45,87	156,59	114,02

AIRWATT

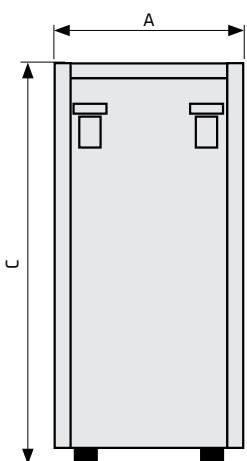
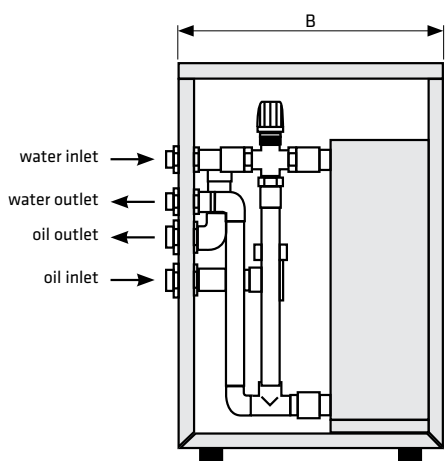
HEAT RECOVERY UNITS



TECHNICAL DATA & PRICES										PG/9
Type	Motor power kW	Heat capacity kW	Connections		Dimensions			Mass kg	CODE	Gross price EUR
			Oil "	Water "	A mm	B mm	C mm			
AirWATT 22	7,5 - 22	5,6 - 16,5	G 1	G 1	410	620	660	33	3506206	5.277,34
AirWATT 37	30 - 37	22,5 - 29,6	G 1	G 1	410	620	660	35	3506207	5.774,98
AirWATT 75	45 - 75	33,8 - 56,3	G 1	G 1	410	620	660	42	3506208	8.980,74
AirWATT 132	90 - 132	67,5 - 99	G 2	G 2	480	950	860	53	3515975	14.177,07
AirWATT 200	160 - 200	120 - 150	G 2	G 2	480	950	860	78	3515985	15.496,41
AirWATT 315	250 - 315	187,5 - 236	G 2	G 2	480	950	860	90	3515973	17.301,81

TECHNICAL SPECIFICATIONS	
Operating pressure (oil)	1 - 16 bar
Maximum water pressure	10 bar
Operating temperature	5 - 120 °C
Max. outlet water temperature	70 °C
Pressure drop (oil)	~ 100 mbar
Ambient temperature	5 - 55 °C
Water temperature indicator	Analog mechanical

Type	Classification according to Pressure Equipment Directive PED 97/23 / CE (fluid group 2)
AirWATT 22	not necessary
AirWATT 37	not necessary
AirWATT 75	not necessary
AirWATT 132	not necessary
AirWATT 200	not necessary
AirWATT 315	not necessary



PETROL STATION EQUIPMENT

BS 12-3,5



Code:
10001134

Net Price:
3.637,42 EUR

AWS

Painted



Code:
10001143

Net Price:
1.930,26 EUR

AWS

Stainless steel



Code:
10001144

Net Price:
2.671,60 EUR

AWS BSC



Code:
10001179

Net Price:
on request

PETRO-PACK



Code:
10001133

Net Price:
2.005,09 EUR

BS TOWER



Code:
10001135

Net Price:
1.485,46 EUR

DOCUMENTS

AirBase - Base of Knowledge and Data

Catalogues, leaflets, price lists, pictures, product data sheets and much more.



Please contact our team for access.

Your AirBase login data:

User name: _____

Pasword: _____

AIR-SYS

COMPRESSED AIR TREATMENT SIZING APPLICATION

The screenshot displays the Airsys application interface, which includes a sidebar menu with categories like Filters, Dryers, Generators, Condensate, Toolbox, Stocks, and About. The main content area features a large schematic diagram of an air treatment system labeled 'OMEGA AIR Air and Gas'. Overlaid on this are several smaller screenshots of the application's search and specification tools:

- Condensate drain search:** A search form with fields for 'Inlet air flow', 'Operating pressure', 'Inlet temperature', 'Ambient temperature', and 'Pressure dewpoint'. It includes a 'Find' button and a list of results with columns for 'Model', 'Description', and 'Stock'.
- Technical specification:** A detailed view of a product's specifications, including 'Nominal air flow', 'Pressure range', 'Temperature range', 'Length', 'Width', 'Height', 'Volume', 'Mass', 'Connection', and 'Number of elements'. It also includes a 'Technical specification' section with a corresponding image of a blue cylindrical component.
- Search for Refrigeration Dryer:** A search form with fields for 'Inlet air flow', 'Operating pressure', 'Inlet temperature', 'Ambient temperature', and 'Pressure dewpoint'. It includes a 'Search' button and a 'Recommended size' dropdown menu. Below the search results, there is a product image and a table of specifications for the 'RDP 180' model.

Please contact our team for access.

PROMOTION



Roll-up presentation banners



Marketing materials



Presentation cases



Promotion folders

CUSTOMISED PRODUCTS

A large part of our manufacturing capacity is suited for customized products. We take part in the developing of the products together with our customers. If you have a project in our range of products and need a co-operating partner do not hesitate to contact us.

END CAP ENGRAVING



END CAP PRINTING



GENERAL TERMS OF SALES

General conditions:	Exclusively valid "The general sales conditions" of company Omega Air d.o.o. Ljubljana.
Terms of delivery:	Incoterms EXW Ljubljana, Slovenia.
Terms of payment:	Payment in advance if not otherwise agreed. Currency is EUR.
Warranty:	One year from date of delivery. Warranty valid only if the product is used in accordance with its instruction manual. Other costs such as labour costs are not included.
Changes:	We reserve the right for typing errors and right to change the prices, conditions and technical specifications of the products without previous announcement.
Packing and packing waste:	The customer in the recipient country is responsible for the recycling of packaging and disposal of waste electrical equipment in accordance with local directives.
Right of ownership:	Delivered products remain in our possession until full payment has been settled.

The above mentioned sales terms and conditions are only for information and are published on our website www.omega-air.si. All other details are defined in written agreement between contract parties.

Pictures in the price list are symbolic. We reserve the right to make mistakes. Data and prices can be changed without prior notice.



ALTERNATIVE PROGRAM

ALTERNATIVE FILTER ELEMENTS

ABAC (new)

plastic end caps

ABAC (old)

plastic end caps

ABAC F

plastic end caps

AGRE (new)

plastic end caps

AGRE (old)

plastic end caps

AIRFILTER ENGINEERING

plastic end caps

ALMIG

plastic end caps

ALUP (new)

plastic end caps

ALUP (previous)

plastic end caps

ALUP (old)

plastic end caps

ALUP F

plastic end caps

ATLAS COPCO +

plastic end caps

ATLAS COPCO

plastic end caps

ATLAS COPCO (old)

plastic end caps

ATS

aluminium end caps

BALMA

plastic end caps

BALMA F

plastic end caps

BEA ARS

aluminium end caps

BEA ARV

aluminium end caps

BEA BST

aluminium end caps

BEKO

plastic end caps

BOGE (HP)

plastic end caps

BOGE

plastic end caps

CECCATO (new)

plastic end caps

CECCATO (old)

plastic end caps

CECCATO F

plastic end caps

CHAUMECA CRB

aluminium end caps

CHICAGO PNEUMATIC (new)

plastic end caps

CHICAGO PNEUMATIC (old)

plastic end caps

CHICAGO PNEUMATIC F

plastic end caps

CKD (AF1000)

plastic end caps

CKD (AF2000)

plastic end caps

CKD (AF3000)

plastic end caps

COMPAIR

plastic end caps

COMPAIR CF

plastic end caps

COMPAIR (previous)

plastic end caps

CREEMERS F

aluminium end caps

CTA CF

aluminium end caps

DELTECH 300

plastic end caps

DELTECH

aluminium end caps

DOMNICK HUNTER oil-x

plastic end caps

DOMNICK HUNTER oil-x evolution

plastic end caps

DOMNICK HUNTER oil-x plus

plastic end caps

DOMNICK HUNTER oil-x plus

aluminium end caps

DOMNICK HUNTER HT

aluminium end caps

DOMNICK HUNTER NH3

aluminium end caps

DONALDSON DF

plastic end caps

DONALDSON 90' series

plastic end caps

DONALDSON 90' series

aluminium end caps

DONALDSON 80' series

aluminium end caps

Alternative silicone and grease free filter elements

DONALDSON

silicone and grease free plastic end cap

DONALDSON

silicone and grease free aluminium end cap

Alternative sterile/vent filter elements

DONALDSON

stainless steel end caps 1.4301 (304)

Alternative process filter elements

DONALDSON

stainless steel end caps 1.4301 (304)

DONALDSON

aluminium end caps

EKOMAK

plastic end caps

EKOMAK F

plastic end caps

FIAC

plastic end caps

FIAC F

plastic end caps

FINITE J

aluminium end caps

FINITE (old)

aluminium end caps

FRIULAIR

plastic end caps

FUSHENG (new)

plastic end caps

FUSHENG (old)

plastic end caps

HANKISON NGF

plastic end caps

HANKISON

aluminium end caps

HIROSS (new)

plastic end caps

HIROSS (old)

plastic end caps

HITACHI

aluminium end caps

INGERSOLL RAND AC

plastic end caps

INGERSOLL RAND F

plastic end caps

INGERSOLL RAND FA

plastic end caps

KAESER (old)

aluminium end caps

KAESER HP

aluminium end caps

KNOCKS

aluminium end caps

KOBELCO

plastic end caps



ALTERNATIVE FILTER HOUSINGS

DONALDSON

DOMNICK HUNTER

ALTERNATIVE WATER/OIL SEPARATOR ELEMENTS

JORC

(Boge)

BEKO

(Atlas Copco, Kaeser, Ecoair, Schneider, Quincy)

WORTMANN

(Zander, Kaeser, Hankinson, Schneider, Motivair)

DOMNICK HUNTER

(Airtek, Hiross, Zander, Hiross, Compair, Ingersoll Rand)

DONALDSON

(Almig, Gardner Denver, Quincy, Aircel, Kaeser, Finite, Boge, Ultrafilter)

KAESER

ATLAS COPCO

(Alup, Abac)

OMI

(Devair)

ALTERNATIVE DESSICANT DRYERS CARTRIDGES

DONALDSON

Ultrapac 2000

ALTERNATIVE DRYER SERVICE KITS

HANKISON

MIKROPOR

KSI GTF/GTF2

plastic end caps

MARK (new)

plastic end caps

MARK (old)

plastic end caps

MARK F

plastic end caps

MATTEI

plastic end caps

MAUGUIERE (new)

plastic end caps

MAUGUIERE (old)

plastic end caps

MAUGUIERE F

plastic end caps

MIKROPOR F

aluminium end caps

MIKROPOR G

aluminium end caps

MIKROPOR GO

plastic end caps

MIKROPOR GKO

plastic end caps

NANO PURIFICATION F

plastic end caps

OMI Alps

plastic end caps

OMI (old)

plastic end caps

ORION (new)

plastic end caps

ORION (new)

aluminium end caps

ORION F (previous)

aluminium end caps

PNEUMATECH (new)

plastic end caps

PNEUMATECH (old)

plastic end caps

PNEUMATECH F

plastic end caps

PREVOST MICRO

plastic end caps

PREVOST

aluminium end caps

PUSKA (new)

plastic end caps

PUSKA (old)

plastic end caps

PUSKA F

plastic end caps

QUINCY F

plastic end caps

SCHNEIDER

aluminium end caps

SCHNEIDER F

plastic end caps

SMC D

aluminium end caps

SMC

plastic end caps

SPX NGF

plastic end caps

SULLAIR

plastic end caps

WALKER OWA Alfa

plastic end caps

WALKER

aluminium end caps

WALKER HP

aluminium end caps

WALKER 20HP & 50HP

aluminium end caps

WORTHINGTON CREYSSENSAC (new)

plastic end caps

WORTHINGTON CREYSSENSAC (old)

plastic end caps

WORTHINGTON CREYSSENSAC F

plastic end caps

XEBEC

plastic end caps

XEBEC

aluminium end caps

XEBEC

stainless steel end caps 1.4301 (304)

ZANDER GL

plastic end caps

ZANDER

plastic end caps

ZANDER

aluminium end caps

Alternative sterile/vent filter elements

ZANDER

stainless steel end caps 1.4301 (304)

Alternative process filter elements

ZANDER

stainless steel end caps 1.4301 (304)

ZONDER

plastic end caps

AIR & GAS department team

OMEGA AIR d.o.o. Ljubljana

SALES MANAGER



LUKA TRŠAR

T +386 1 200 68 13
M +386 30 362 190
luka.trsar@omega-air.si
Languages:



OMEGA AIR GmbH

AREA SALES MANAGER NORTH/NORTH-EAST GERMANY



OLAF LISSEL

T +49 5341 3988782
M +49 172 3900640
olaf.lissel@omega-air.de
Languages:



AREA SALES MANAGER SOUTH GERMANY



GINO BIAGIO BELLUARDO

T +49 7130 5089656
M +49 173 4810990
biagio.belluardo@omega-air.de
Languages:



OMEGA AIR ITALIA Srl

AREA SALES MANAGER



GIACOMO DEL DOTTO

M +39 371 3740977
giacomo.deldotto@omega-air.it
Languages:



AREA SALES MANAGER CENTRO/SUD ITALIA



RICCARDO BAFILE

M +39 345 5051770
riccardo.bafile@omega-air.it
Languages:



Slovenia, Ex Yugoslavia

SALES MANAGER - DOMESTIC SALES



GREGOR OSTRONIČ

T +386 1 200 68 22
M +386 30 362 126
gregor.ostronic@omega-air.si
Languages:



OMEGA AIR Indonesia

PROCURATOR



IBNU HARMADI

M +62 812 1111 2906
ibnu.harmadi@sea.omega-air.si
Languages:



OMEGA AIR Japan

PROCURATOR



HIRO HANAWA

T +81 45 228 5118
M +81 90 5336 0303
hiro.hanawa@jp.omega-air.si
Languages:



SUPPORTO TECNICO COMMERCIALE



MICHAEL GROPPPO

M +39 344 510 0773
michael.groppo@omega-air.it
Languages:



Benelux, Austria, Asia, Oceania

AREA SALES MANAGER



MARTIN SOJER

T +386 1 200 68 39
M +386 30 362 191
martin.sojer@omega-air.si
Languages:



France, Canada, USA, Africa, UK

AREA SALES MANAGER



BAPTISTE CALVET

T +386 1 200 68 61
M +386 30 362 197
baptiste.calvet@omega-air.si
Languages:



East Europe, Greece, Baltic, South Africa

AREA SALES MANAGER



ŠPELA PERC

T +386 1 200 68 69
M +386 30 362 194
spela.perc@omega-air.si
Languages:



ANJA ŠAVS



T +386 1 200 68 46
M +386 30 478 818
anja.savs@omega-air.si
Languages:



URŠA LAMPRET



T +386 1 330 42 59
M +386 30 362 192
ursa.lampret@omega-air.si
Languages:



NINA MIHELIČ



T +386 1 330 42 22
M +386 40 458 413
nina.mihelic@omega-air.si
Languages:



MARTA FURLAN



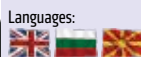
T +386 1 200 68 19
marta.furlan@omega-air.si
Languages:



MARTIN JAKJIMOVSKI



T +386 1 200 68 03
M +386 40 458 415
martin.jakjimoski@omega-air.si
Languages:



BENO DOLINAR



T +386 1 200 68 76
beno.dolinar@omega-air.si
Languages:



ALBIN CIKOTIČ



T +386 1 330 42 34
M +386 30 701 502
albin.cikotic@omega-air.si
Languages:



Germany, Switzerland

TANJA TRŠAR



T +386 1 200 68 43
tanja.trsar@omega-air.si
Languages:



GREGORIJ VELKAVRH



T +386 1 330 42 27
M +386 30 701 141
gregorij.velkavrh@omega-air.si
Languages:



NATAŠA REPIČ



T +386 1 200 68 92
natasa.replic@omega-air.si
Languages:



ANDRAŽ MASEL ŠTEMBAL



T +386 1 200 68 25
M +386 30 478 811
andraz.maselstembal@omega-air.si
Languages:



DARIAN KOČMUR



T +386 1 200 68 53
darian.kocmur@omega-air.si
Languages:



MAJDA MEŠIČ



T +386 1 200 68 07
majda.mesic@omega-air.si
Languages:

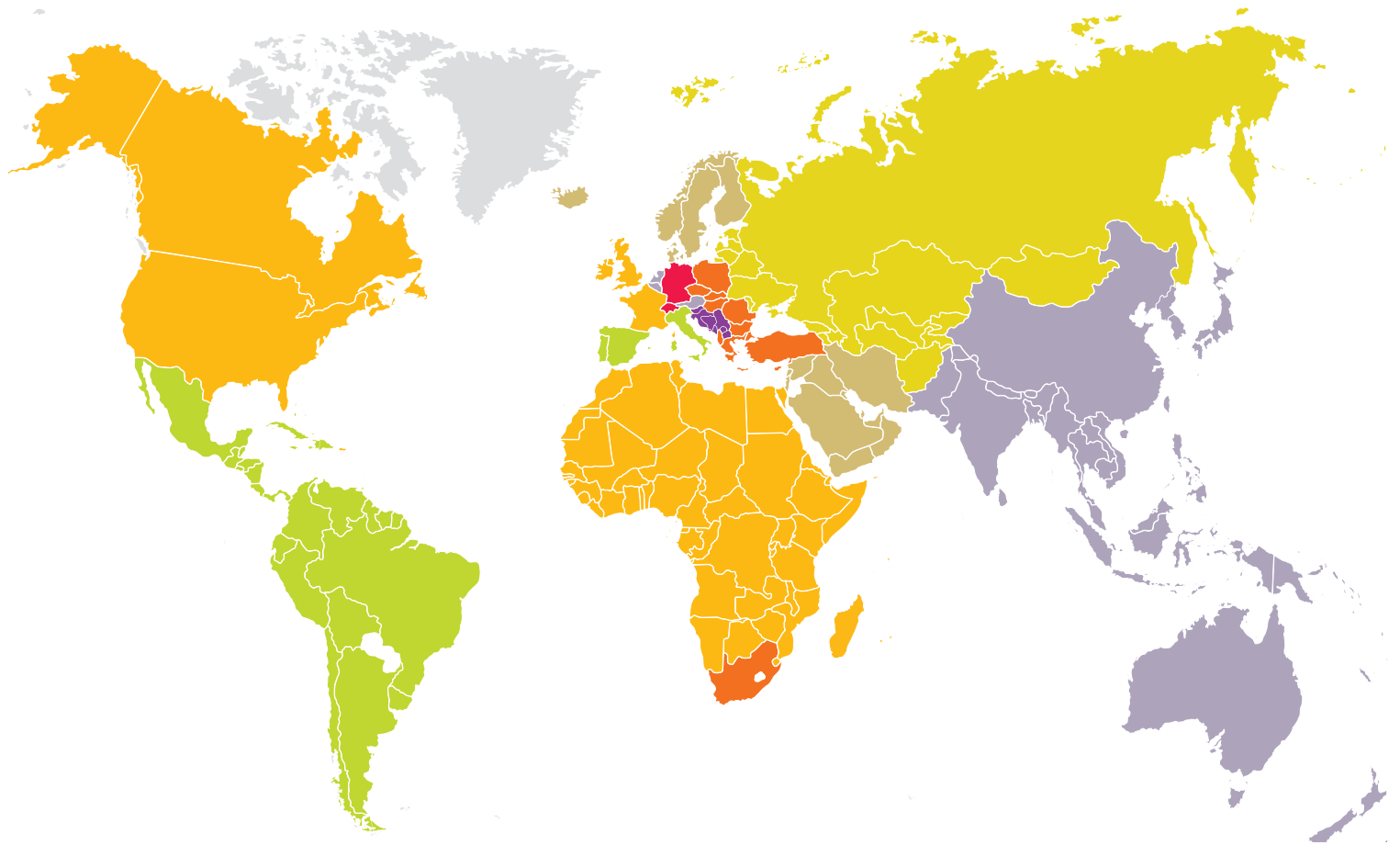


ERIK KRUŠEC



T +386 1 200 68 60
M +386 30 362 140
erik.krusec@omega-air.si
Languages:





Italy, Spain, Portugal, South America

AREA SALES MANAGER



TILEN LOVREČIČ

T +386 1 200 68 62
M +386 30 362 180
tilen.lovrecic@omega-air.si

Languages:



ROSMERY IDINA MÉNDEZ

T +386 1 200 68 05
M +386 30 478 807
rosmery.idinamendez@omega-air.si

Languages:



STAŠA DRGANC

T +386 1 330 42 25
M +386 30 478 816
stasa.drganc@omega-air.si

Languages:



RENATO ZGRINSKIĆ

T +386 1 200 68 35
renato.zgrinskić@omega-air.si

Languages:



TATJANA LAPAJNE

T +386 1 200 68 23
tatjana.lapajne@omega-air.si

Languages:

Middle East, Scandinavia

AREA SALES MANAGER



UROŠ OGRIN

T +386 1 200 68 38
M +386 30 478 820
uros.ogrin@omega-air.si

Languages:



POLONA ŽAGAR AKJOL

T +386 1 330 42 28
M +386 30 316 871
polona.akyol@omega-air.si

Languages:



BARBARA ERŽEN

T +386 1 200 68 90
barbara.erzen@omega-air.si

Languages:



DIANA IVANČIČ

T +386 1 200 68 03
diana.ivancic@omega-air.si

Languages:

CIS Countries

AREA SALES MANAGER



ZANNA LAPINA NABERGOJ

T +386 1 200 68 15
M +386 30 478 808
zanna.lapina@omega-air.si

Languages:



IRINA NAPOKOJ

T +386 1 200 68 68
irina.napokoj@omega-air.si

Languages:



JANJA BOGATAJ

T +386 1 200 68 04
M +386 30 717 809
janja.bogataj@omega-air.si

OMEGA AIR

more than air



OMEGA AIR d.o.o. Ljubljana
Cesta Dolomitskega odreda 10, 1000 Ljubljana, Slovenia
+386 1 200 68 00 | info@omega-air.si
www.omega-air.si

950586 - 17/3/2026



Prices are valid from April 1st, 2026.