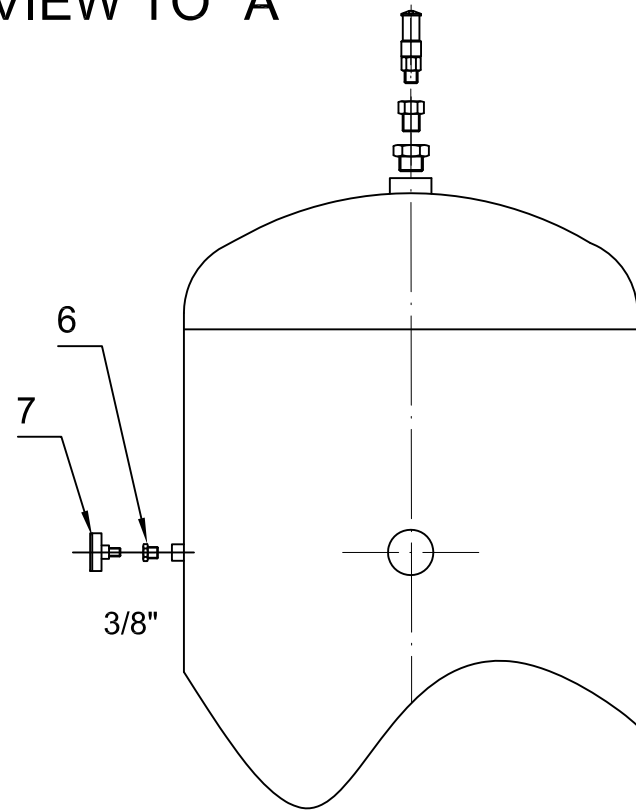
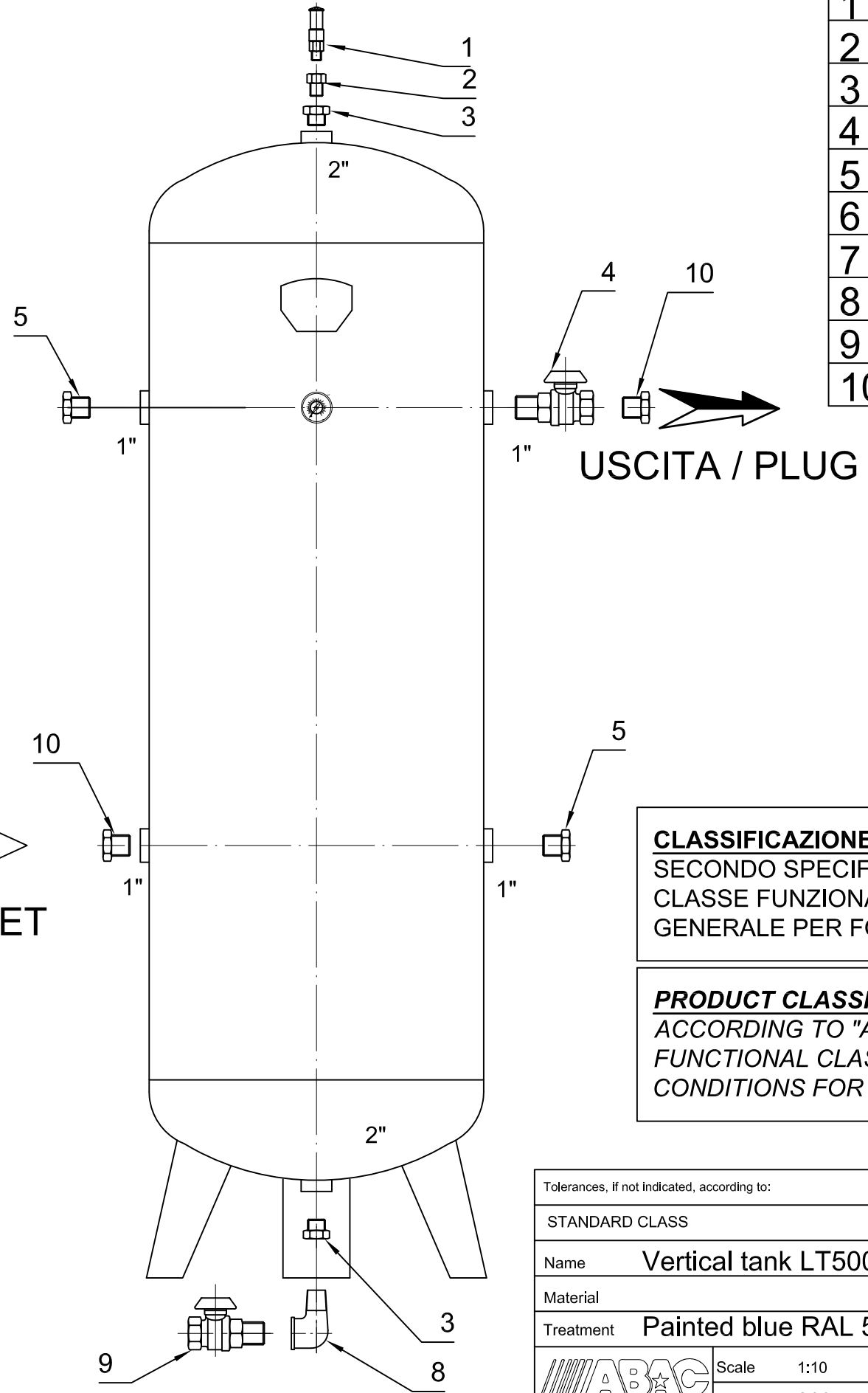


VISTA DA "A"
VIEW TO "A"



← A



Pos.	Descrizione / Description
1	Valv. sic. 3/8" 15B / 3/8" 15B Safety valve
2	Riduz. 3/4" -3/8" / 3/4"-3/8" Reduction
3	Riduz. 2"-3/4" / 2"-3/4" Reduction
4	Rubinetto 1" / 1" Faucet
5	Tappo 1" / 1" Plug
6	Riduzione 3/8"-1/4" / 3/8"-1/4" Reduction
7	Manometro 1/4" / 1/4" Air gauge
8	Gomito 3/4" / 3/4" Elbow
9	Rubinetto 3/4" / 3/4" Faucet
10	Riduz. 1"-3/4" / 1"-3/4" Reduction

ENTRATA / INLET →

← USCITA / PLUG

CLASSIFICAZIONE PRODOTTO E RELATIVE CARATTERISTICHE
 SECONDO SPECIFICHE TECNICHE "ABAC" 335/07 , 001/95
 CLASSE FUNZIONALE 2 E SECONDO IL CAPITOLATO
 GENERALE PER FORNITURE ESTERNE "MOD. "AQ 40/115"

PRODUCT CLASSIFICATION AND DISTINCTIVE FEATURERS
 ACCORDING TO "ABAC" TECHNICAL SPECIFICATIONS 335/07, 001/95
 FUNCTIONAL CLASS:2 AND ACCORDING TO THE GENERAL
 CONDITIONS FOR EXTERNAL SUPPLY MOD. "AQ 40/115"

Tolerances, if not indicated, according to:		Mach.surf./Holes			
STANDARD CLASS		UNI EN 22768-1m			
Name Vertical tank LT500 CE 15 Bar + KIT				Security Class	
Material				CAD	
Treatment Painted blue RAL 5015				CAD	
	Scale 1:10	Family	A3	Compare	
	Drawn by OCCELLI	Blank nr.		Replaces	
STATUS	Dwg.Ver. 00	Blank wt. Kg	Fini wt. 0.0Kg	Designation	
APPROVED	Des checked.	Prod checked.	Approved	Date 14.01.2009	Sheet 1 / 1

This document is our property and shall not without our permission be altered, copied, used for manufacturing or communicated to any other person or company.

00					2236100977		
Ed	Position	Modified from	Date	Intr./Appd.	Parent CAD	Ed . CAD	

2236100977